



A TEREX BRAND

Parts Manual

Serial Number Range

***Superlift
Contractor***

from 9595-101

Part No. 115410

Rev B8

January 2012

Technical Publications

Genie Industries has endeavored to deliver the highest degree of accuracy possible. However, continuous improvement of our products is a Genie policy. Therefore, product specifications are subject to change without notice.

Readers are encouraged to notify Genie of errors and send in suggestions for improvement. All communications will be carefully considered for future printings of this and all other manuals.

Contact Us:

<http://www.genieindustries.com>
 e-mail: awp.techpub@terex.com

Serial Number Information

Genie Industries offers the following Parts Manuals for these models.


Title	Part No.
Genie Superlift Contractor Parts and Service Manual, First Edition (before serial number 9595-101).....	33953
Genie Superlift Contractor Parts and Service Manual, Second Edition, Third Printing (from serial number 9595-101).....	*80140

*Note: Genie Superlift Contractor Service Manual 115409 and Genie Superlift Contractor Part's Manual 115410, replaces Genie Superlift Contractor Parts and Service Manual 80140.

Copyright © 1995 by Genie Industries

115410 Rev B July 2009
 Third Edition, Second Printing

"Genie" and "SLC" are registered trademarks of Genie Industries in the USA and many other countries.

 Printed on recycled paper

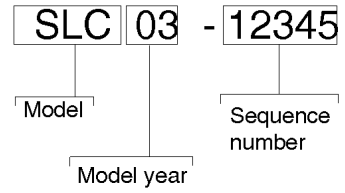

Genie
A TEREX COMPANY
Genie Industries
18340 NE 76th Street
Redmond, WA 98052 USA

Model Name: SLC-6

Serial Number: SLC03-12345

Manufacture Date: 01/02/03

Electrical Schematic: N/A



Serial label

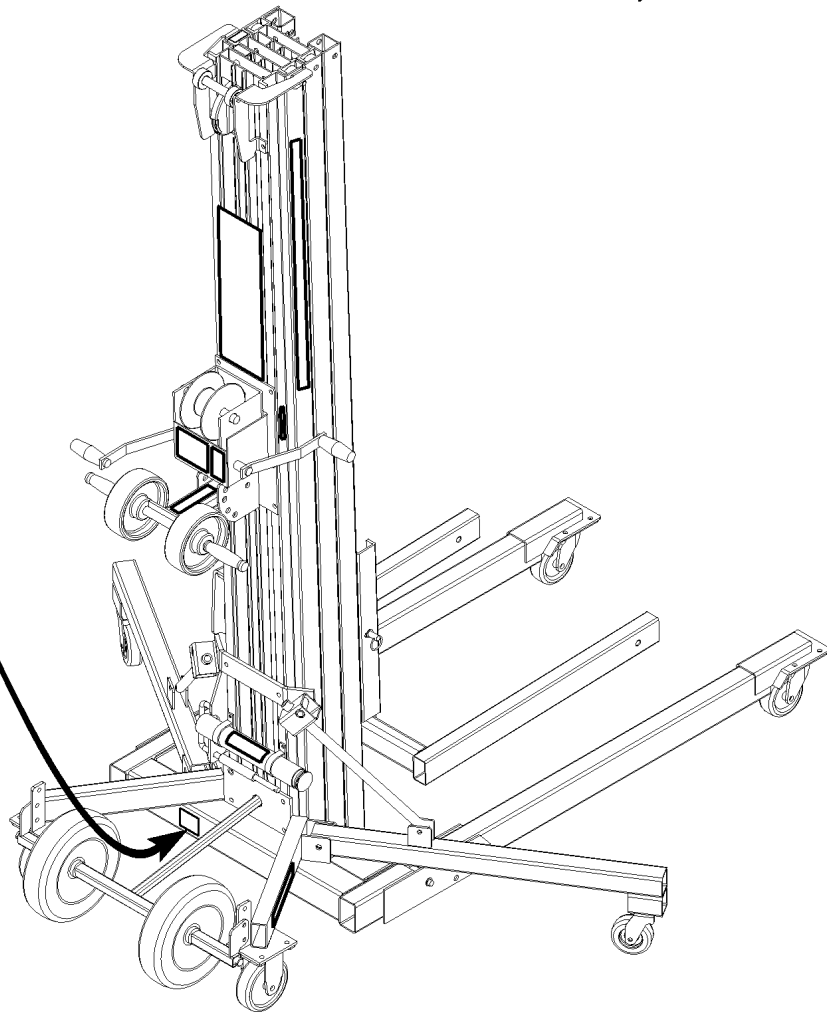


Table of Contents

This manual is updated frequently. If you have a printed manual, you can keep it up to date by downloading new figures from the Genie website at www.genielift.com. For the most up-to-date parts information, visit the Parts Lookup System on the Genie website at www.genielift.com.

How to Read Your Serial Number.....	3
Parts Stocking List.....	7
How to Order Parts.....	8
Service Parts Fax Order Form.....	9

Electronic Version

Click on any page number to view the figure.

100 Decals

101.1 Decals with Words (to SLC04-28240).....	10
102.1 Decals with Words (from SLC04-28241).....	12
103.1 Decals with symbols.....	14

200 Base Components

201.1 Base Components, View 1.....	16
202.1 Base Components, View 2.....	18

300 Mast and Winch Components

301.1 Mast Components, View 1.....	20
302.1 Mast Components, View 2.....	22
303.1 Mast Components, View 3.....	24
304.1 Columns, Pulleys and Cables.....	28
305.1 Winch Components - Single Speed.....	32
306.1 Winch Components - Two Speed (from 9501-16466).....	34

400 Accessories

401.1 Forks.....	36
402.1 Pipe Cradle, Load Platform and Boom Arm.....	38
403.1 Rear Wheels.....	40

Indices

Part Number Index.....	42
Part Description Index.....	43

Cross References

This Page Intentionally Left Blank

Required Parts

The following parts are required to perform maintenance procedures as outlined in the *Genie Superlift Contractor Service Manual*.

Description	Part No.
White Lithium Grease	91670
Cable Replacement Coupler	12402
Disc Brake (One-Speed Winch).....	7571
Disc Brake (Two-Speed Winch).....	37061

Recommended Parts

Description	Part No.
Genie Blue Paint, 1 Gallon (3.78 liters)	32150
Genie Blue Paint, 12 Ounce Aerosol (355 ml).....	1484
Genie Gray Paint, 1 Gallon (3.78 liters).....	32151
Genie Gray Paint, 12 Ounce Aerosol (355 ml)	1268
Pinion Plate (One-Speed Winch).....	7591
Pinion Plate (Two-Speed Winch)	40122
Ratchet Gear (One-Speed Winch).....	6777
Ratchet Gear (Two-Speed Winch)	40121
Pinion Gear (One-Speed Winch)	7590
Pinion Gear (Two-Speed Winch)	80157
Pinion Shaft (One-Speed Winch).....	32891
Ratchet Pawl Kit (One-Speed Winch).....	40458
Ratchet Pawl Kit (Two-Speed Winch)	40117
Cable Keeper Kit (One-Speed Winch).....	6190
Primary Shaft Assembly	72264
Cable Assembly (SLC-6 models).....	35005
Cable Assembly (SLC-12 models).....	6099
Cable Assembly (SLC-18 models).....	7250
Cable Assembly (SLC-24 models).....	7251
Pin Assembly with Lanyard.....	32940
Roller Bolt, 1/2-13 x 1.84 inches.....	32475
Nylatron Roller, 1.75 x 0.72 inch.....	32473
Safety Brake Assembly.....	35101
Loctite Thread Lock	65764
Genie Superlift Cabling Procedure Video.....	52701

Manuals

Genie Industries offers the following support documents for these models:

Title	Part No.
Genie Superlift Contractor Operator's Manual, Second Edition	33547
Genie Superlift Contractor Service Manual, Third Edition	115409
EMI Safety Manual	27581
Manual of Responsibilities ANSI A92.5	31587

How To Order Parts

Please be prepared with the following information when ordering replacement parts for your Terex or Genie product:

- Machine model number
- Machine serial number
- Part number
- Part description and quantity
- Purchase order number
- "Ship to" address
- Desired method of shipment
- Name and telephone number of the authorized distributor in your area

Use the Service Parts Fax Order Form on the next page and fax your order to our Parts Department.

If you don't know the name of your authorized distributor, or if your area is not currently serviced by an authorized distributor, please call Terex or Genie Industries.

Machine Information

Model

Serial Number

Date of Purchase

Authorized Genie Distributor

Phone Number

North America

Telephone (425) 556-6551
 Toll Free (877) 367-5606 in U.S.A. and Canada
 Fax (425) 556-8659
 Toll Free Fax (888) 274-6192

Europe

Parts Telephone (31) (165) 519 313
 Parts Fax (31) (165) 511 148

Australia

Parts Telephone (61) (7) 3456 4444
 Parts Fax (61) (7) 3456 4466

South America

Parts Telephone (55) (11) 4082 5600
 Parts Fax (55) (11) 4082 5630



Service Parts Fax Order Form

Fax to: (425) 556-8659 or Toll Free: 888-274-6192
International: +1-425-556-8659

Please fill out completely

Date Account Number
Your Name Your Fax Number
Your Phone Number
Bill To Ship To
Purchase Order Number Ship Via

Model(s) Serial No.(s)
Optional Equipment

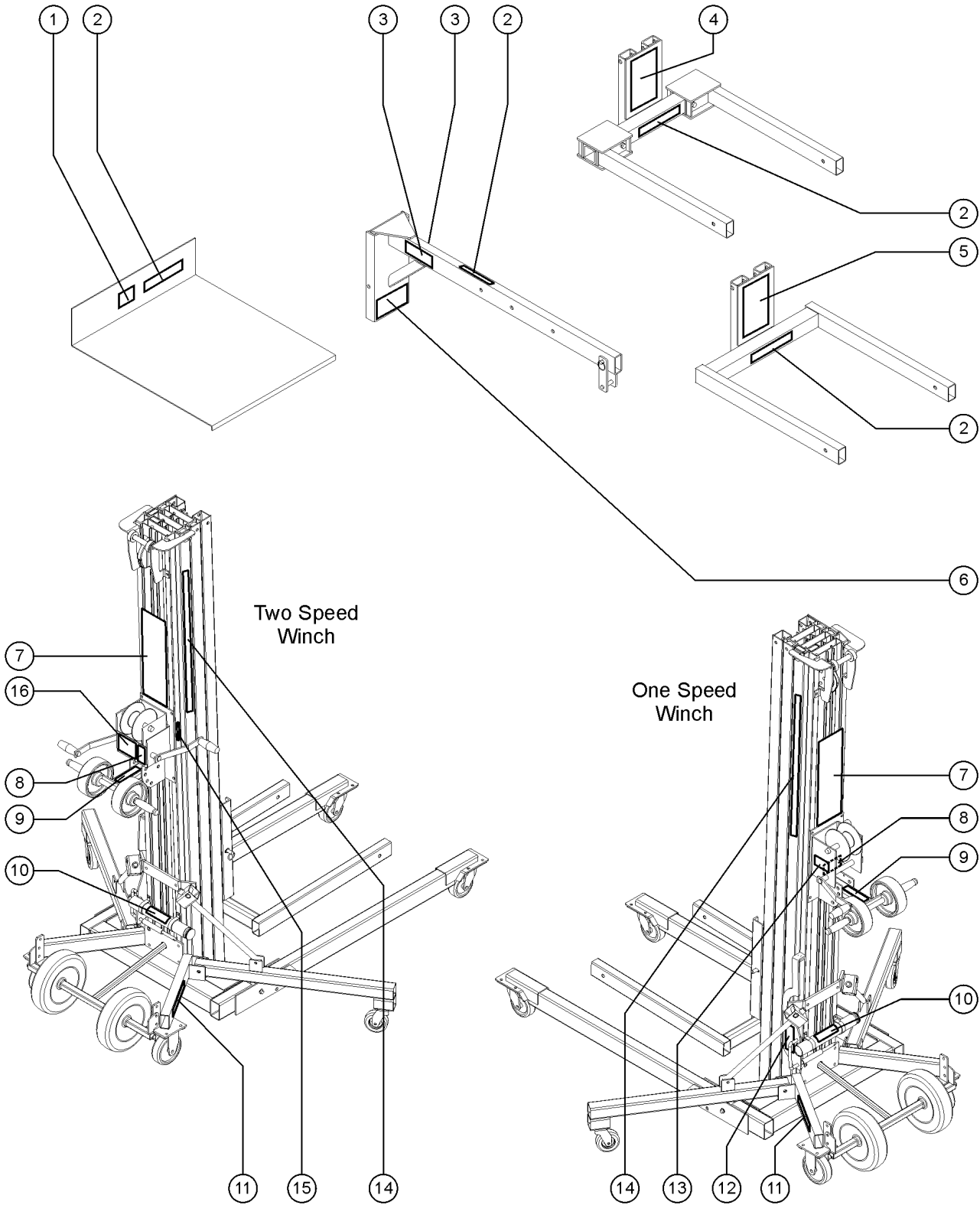
Table with 4 columns: Part Number, Description, Quantity, Price. Multiple empty rows for data entry.

All back-ordered parts will be shipped when available via the same ship method as the original order unless Noted below:

- Ship complete order only - No back orders
Ship all available parts and contact customer on disposition of back-ordered parts
Other (please specify)



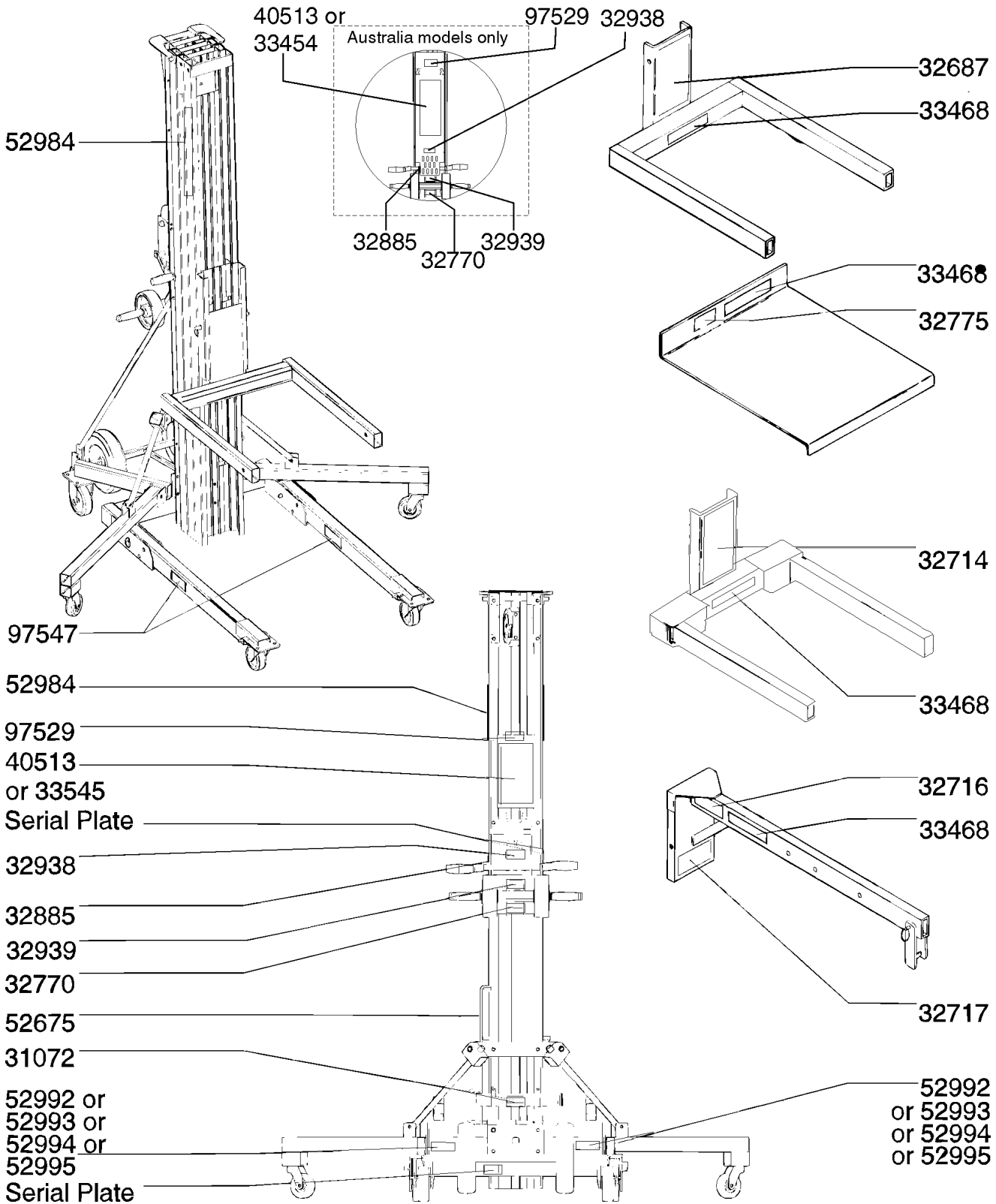
101.1 Decals with Words (to SLC04-28240)



101.1 Decals with Words (to SLC04-28240)

Item	Part No.	Description	Qty.
--	48373	DECAL KIT, SAFETY/INST, SLC to SN SLC04-28240; includes items 2, 5, 7-10 and 12-13	
--	84806	DECAL KIT, WORDS SLC from SN SLC04-28241	
--	84807	DECAL KIT, SYMBOLS, SLC from SN SLC04-28241	
1	32775	DECAL, WARNING, FALL HAZARD.....	1
2	33468	DECAL, WARNING, NO RIDERS.....	1
3	32716	DECAL, NOTICE BOOM SETUP.....	2
4	32714	DECAL, WARNING ADJ. FORK SETUP.....	1
5	32687	DECAL, WARNING STD. FORK SAFETY.....	1
6	32717	DECAL, WARNING BOOM SAFETY.....	1
7	40513	DECAL, WARNING/SAFETY-SLC..... (replaced 33545 from SN 9596-5288)	1
8	32938	DECAL, LABEL, WINCH ONLY.....	1
9	32939	DECAL, CRUSHING HAZ/BRAKE LOCK.....	1
10	31072	DECAL, LABEL, OPER. MAN. STORAGE.	1
11	52992	DECAL, COSMETIC, SLC-6.....	2
11A	52993	DECAL, COSMETIC, SLC-12	
11B	52994	DECAL, COSMETIC, SLC-18	
11C	52995	DECAL, COSMETIC, SLC-24	
12	52675	DECAL, CAUTION, DAMAGD MACHINE.....	1
13	32885	DECAL, SILENT WINCH.....	1
14	52984	DECAL, GENIE SUPERLIFT CONTRACT.....	2
15	33982	SERIAL NUMBER PLATE, SL CONTR.....	1
16	32770	DECAL, 2 SPD. WINCH**.....	1

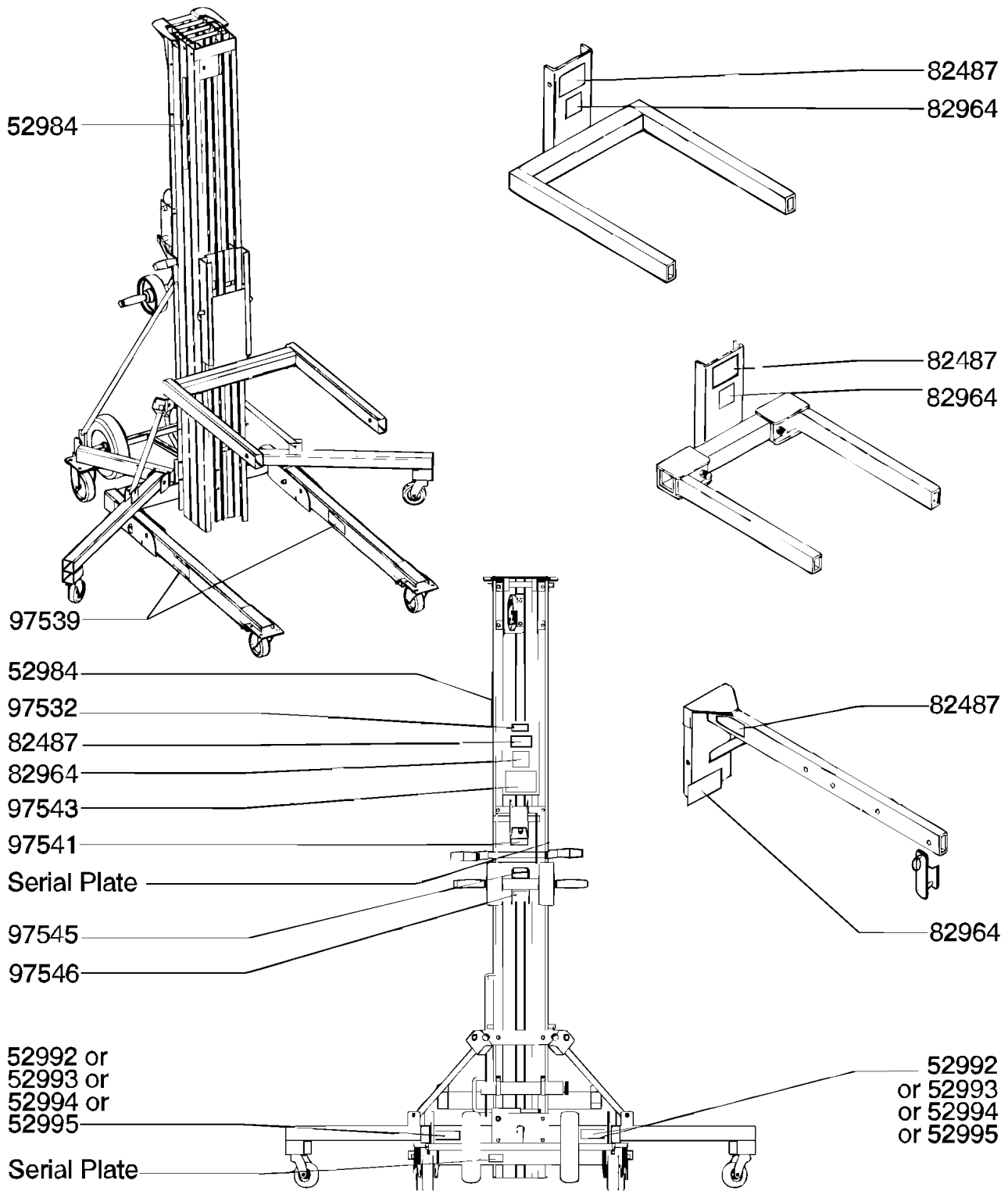
102.1 Decals with Words (from SLC04-28241)



102.1 Decals with Words (from SLC04-28241)

Item	Part No.	Description	Qty.
1	31072	DECAL,LABEL,OPER.MAN.STORAGE.1	
2	32687	DECAL,WARNING STD.FORK SAFETY.....1	1
3	32714	DECAL,WARNING ADJ. FORK SETUP.....1	1
4	32716	DECAL,NOTICE BOOM SETUP.....1	1
5	32717	DECAL,WARNING BOOM SAFETY.....1	1
6	32770	DECAL,2 SPD.WINCH**.....1	1
7	32775	DECAL,WARNING,FALL HAZARD.....1	1
8	32885	DECAL,SILENT WINCH.....1	1
9	32938	DECAL,LABEL,WINCH ONLY.....1	1
10	32939	DECAL,CRUSHING HAZ/BRAKE LOCK.....1	1
11	33468	DECAL,WARNING,NO RIDERS.....1	1
12	40513	DECAL,WARNING/SAFETY-SLC.....1 <i>(replaced 33545 from SN 9596-5288)</i>	1
13	52675	DECAL,CAUTION,DAMAGD MACHINE.....1	1
14	52984	DECAL,GENIE SUPERLIFT CONTRACT.....2	2
15	52992	DECAL,COSMETIC,SLC-6.....2	2
15A	52993	DECAL,COSMETIC,SLC-12	
15B	52994	DECAL,COSMETIC,SLC-18	
15C	52995	DECAL,COSMETIC,SLC-24	
16	97529	DECAL,CAUTION,MOVING PARTS.....1	1
17	97547	DECAL,DANGER,ELEC.HAZ.....2	2

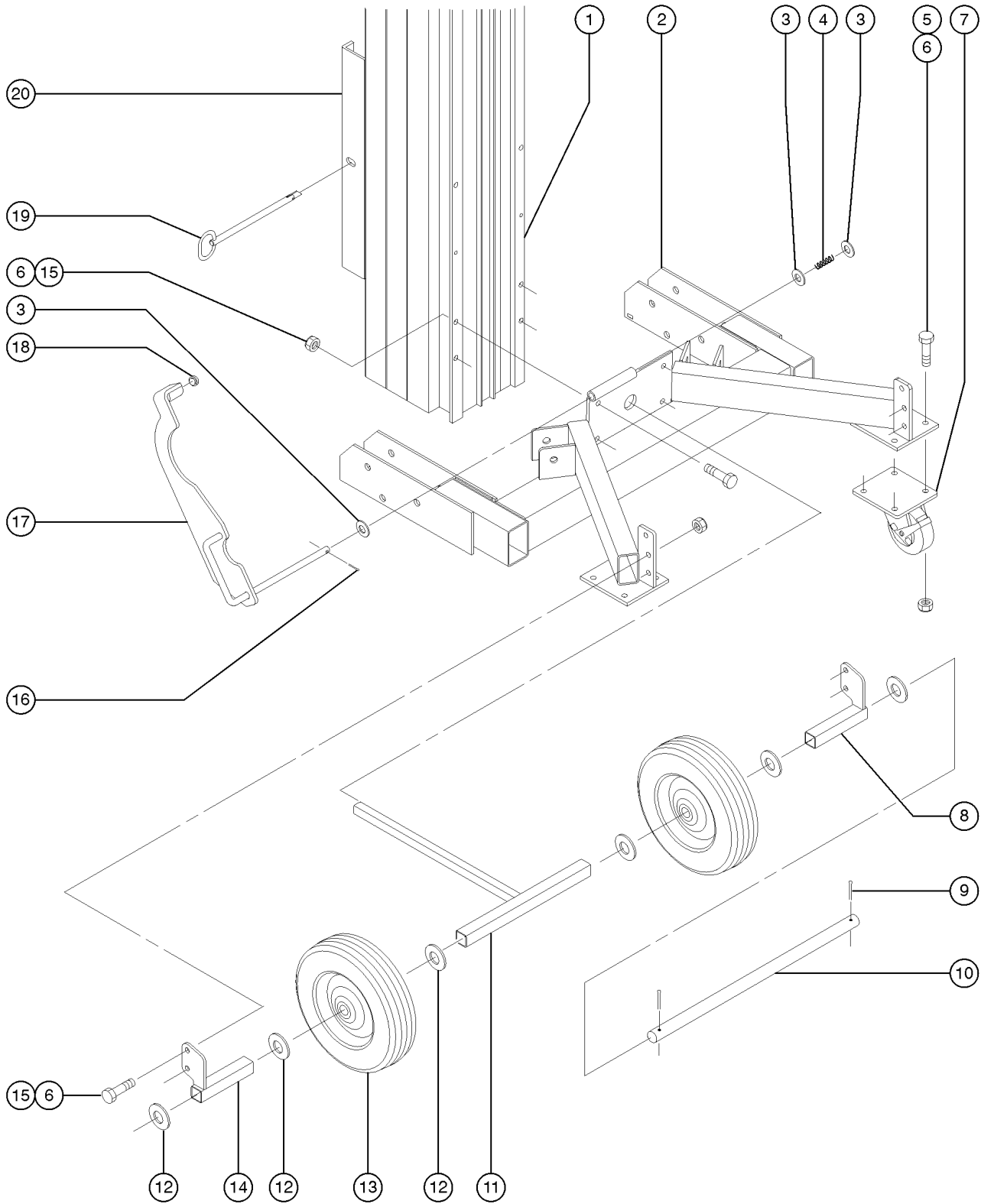
103.1 Decals with symbols



103.1 Decals with symbols

Item	Part No.	Description	Qty.
1	52984	DECAL,GENIE SUPERLIFT CONTRACT.....	2
2	52992	DECAL,COSMETIC,SLC-6.....	2
2A	52993	DECAL,COSMETIC,SLC-12	
2B	52994	DECAL,COSMETIC,SLC-18	
2C	52995	DECAL,COSMETIC,SLC-24	
3	82487	DECAL,SYMBOL-READ THE MANUAL.....	1
4	82964	DECAL,WARNING,NO RIDERS SYMB.....	1
5	97532	DECAL,CAUTION,MOVING PARTS SYM.....	1
6	97539	DECAL,DANGER,ELEC.HAZ.....	2
7	97541	DECAL,LABEL,WINCH ONLY SYMB.....	1
8	97543	DECAL,WARNING,LOAD CHART SLC.....	1
9	97545	DECAL,WARNING,BRAKE LOCK SYMB.....	1
10	97546	DECAL,2 SPD.WINCH SYMB.....	1

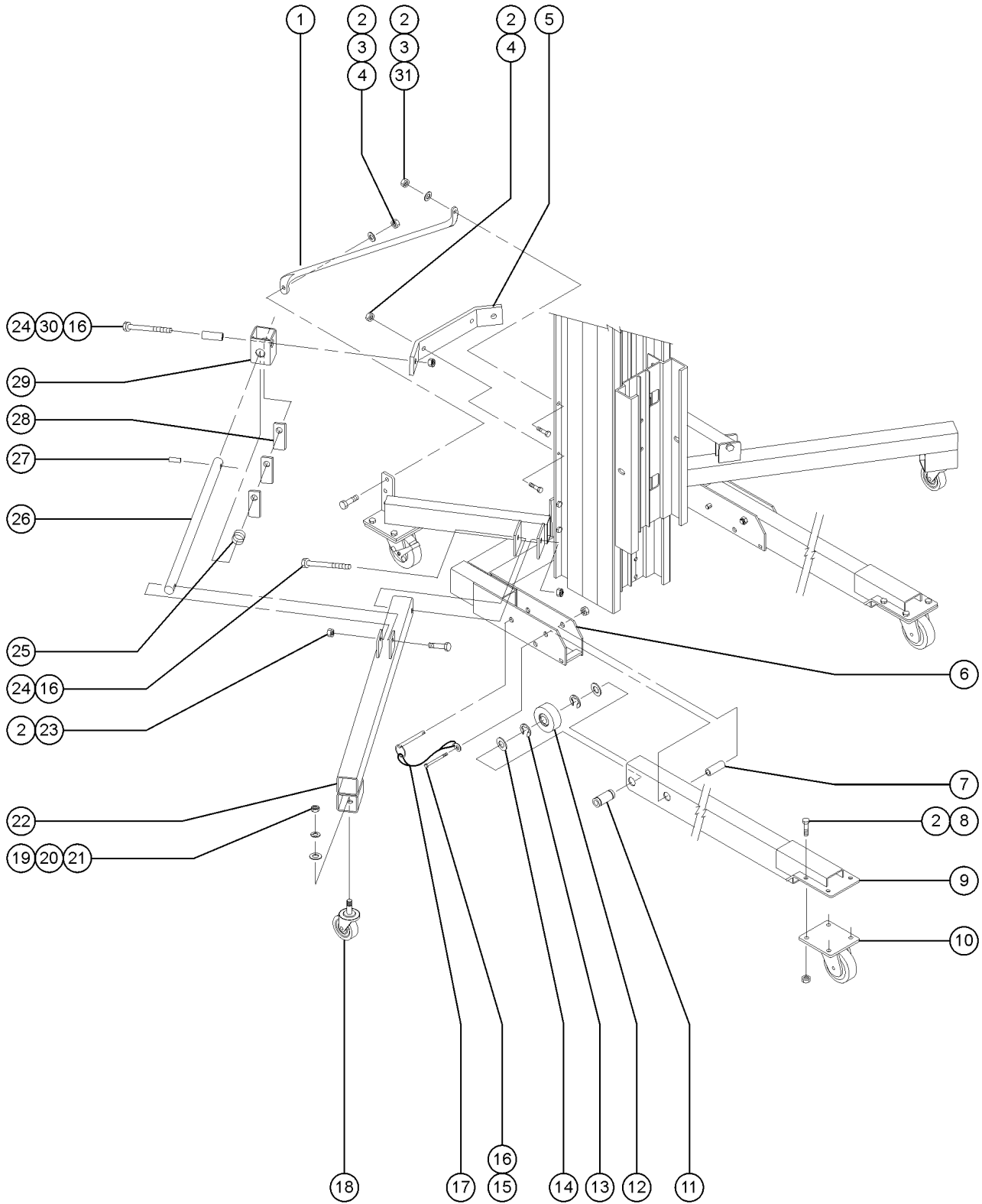
201.1 Base Components, View 1



201.1 Base Components, View 1

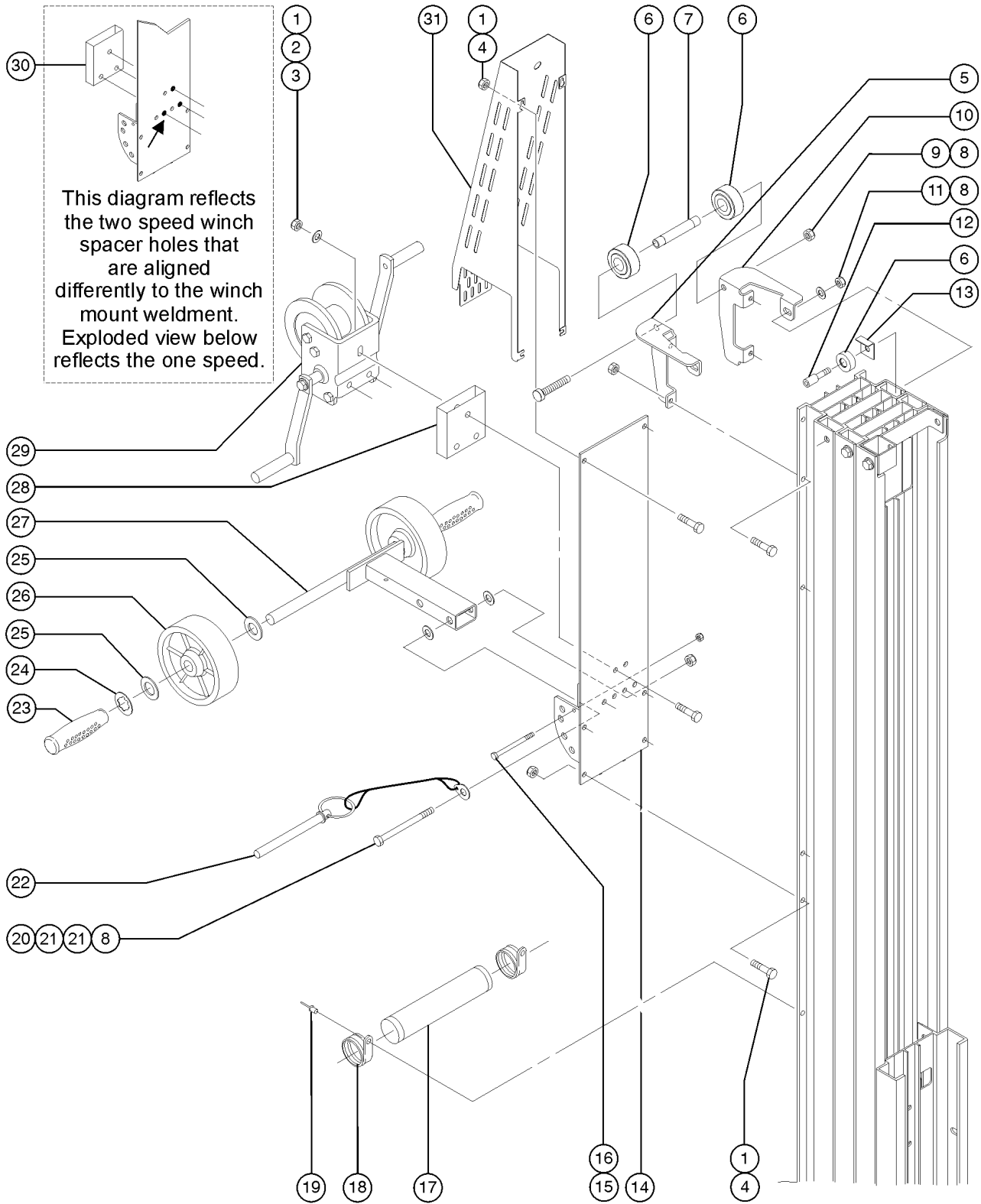
Item	Part No.	Description	Qty.
1		Ref. Columns (refer to 304.1)	
2	80141-S	BASE ASSY W/DECALS,SLC-6.....1	
2A	80142-S	BASE ASSY W/DECALS, SLC-12....1	
2B	80143-S	BASE ASSY W/DECALS, SLC-18....1	
2C	80144-S	BASE ASSY W/DECALS, SLC-24....1	
3	21443	SHIM,.75 X.45 X.064.....3	
4	33658	SPRING,HOLDOWN SL2E.....1	
5	6175	SCREW,HHC,3/8-16 X 1	
6	4828	NUT,NYLOCK,3/8-16	
7	57735	CASTER,PL,SW,SB, 5 X 1.5***.....2	
8	33830-S	WHEEL SPACER MOUNT WELD,RH,SL.....1	
9	6094	PIN,COTTER,.125 X 1.....2	
10	57237	AXLE ROD, TRANSPORT WHEEL,SL.....1	
11	33831-S	WHEEL SPACER WELDMENT,SL"GRAY".....1	
12	6564	WASHER,SHIM,.765X1.312 X.093**.....6	
13	35064	WHEEL,SOLID RUBBER,10X.75X2.75.....2 (to SN SLC07-39655)	
13A	124000	WHEEL,TRANSPORT SL 10X.75X2.75 (from SN SLC07-39656)	
14	33829-S	WHEEL SPACER MNT WELD LH,SL.....1	
15	6019	SCREW,HHC,3/8-16 X 1.25 GRD 5	
16	12016	PIN,COTTER,.125 X .75.....1	
17	58750	HOLD DOWN KIT W/DECAL SL SHORT.....1 SLC-6 (includes item numbers 16 and 18)	
17A	58095	HOLD DOWN KIT W/DECAL SL LONG.....1 SLC-12, SLC-18, SLC-24 (includes items numbers 16 and 18)	
18	11890	GLIDE BUTTON,SIDE,GLL,.100 TK.....1	
19	48301	PIN,TOGGLE,.50 X 8.13***.....1	
20		Ref. Carriage (refer to 304.1)	

202.1 Base Components, View 2



Item	Part No.	Description	Qty.
1	32883	STRUT, LH, SL2.....	1
1A	32884	STRUT, RH, SL2..... <i>shown</i>	1
2	4828	NUT,NYLOCK,3/8-16	
3	6097	WASHER,FLAT,USS,3/8",Y	
4	8516	SCREW,HHC,3/8-16 X 1.50	
5	35212	BRACKET, STAB.MOUNT,"GRAY".....	1
6		Ref. Base Assembly with Decals..... <i>(refer to 201.1)</i>	1
7	32509	PIVOT TUBE SL2 LEG.....	2
8	6175	SCREW,HHC,3/8-16 X 1	
9	35015	WELDMENT, LEG, SLC-6 GRAY....	2
9A	35016	WELDMENT, LEG, SLC-12 GRAY	
9B	35017	WELDMENT,LEG,SLC-18 GRAY***	
9C	35018	WELDMENT, LEG, SLC-24 GRAY	
10	57734	CASTER,SL,SW, 4 X 1.5.....	2
11	32524	AXLE TUBE, SL2 LEG.....	2
12	57782	WHEEL,POLYOLEFIN,2.5X1.25,7/8.2	
13	32499	E CLIP,.875 IN.SL LEG.....	4
14	33373	WASHER,SHIM,1.50 X .890 X .09...4	
15	10598	SCREW,HHC,1/2-13 X 3	
16	6086	NUT,LP NYLOCK,1/2-13	
17	100309	ASSY,PIN & LANYARD***.....	2
18	57746	CASTER,POST,SW,3.5X1.25,1/2-13.2	
19	6034	NUT,HEX,JAM,1/2-13	
20	6033	WASHER,LOCK,0.5"	
21	6095	WASHER,FLAT,USS,1/2",Y	
22	35019	WELDMENT, STABILIZER, SLC GRAY.....	2
23	5224	SCREW,HHC,3/8-16 X 2	
24	6732	SCREW,HHC,1/2-13 X 3.25	
25	32519	SPRING,STABILIZER LATCH SL2.....	2
26	58094	STABILIZER STRUT,ASSY..... <i>(includes item 27)</i>	2
27	11337	PIN,ROLL,.25 X 1.25.....	2
28	32577	LATCH PLATE,STABILIZER SL2....	6
29	35213	CLAMP TUBE,STABILIZER-"GRAY".....	2
30	32576	PIVOT TUBE,STABILIZER.....	2
31	8516	SCREW,HHC,3/8-16 X 1.50.....	4

301.1 Mast Components, View 1

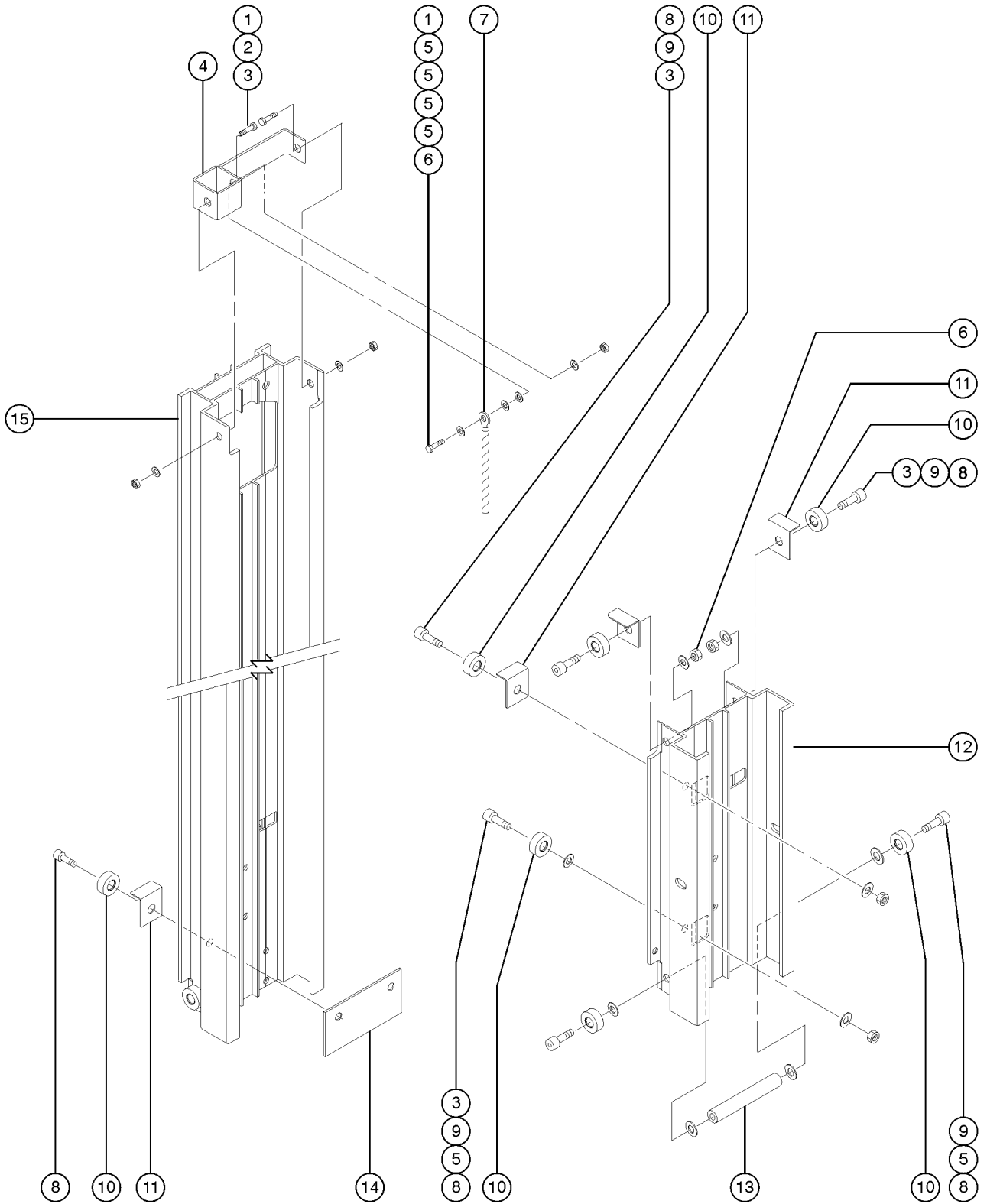


301.1 Mast Components, View 1

Item	Part No.	Description	Qty.	Item	Part No.	Description	Qty.
1	4828	NUT,NYLOCK,3/8-16		27C	35819	LOADING WHEEL WELD.W/DECAL SL2 <i>(assembly with symbol decals) (includes items 23-26)</i>	
2	6097	WASHER,FLAT,USS,3/8",Y.....1 <i>(one speed winch)</i>	1				
2A	6097	WASHER,FLAT,USS,3/8",Y.....3 <i>(two speed winch)</i>	3	28	35834	WINCH SPACER,1 SPEED SLC, GRAY.....1	1
3	6326	SCREW,HHC,3/8-16 X 3 SLC-6, SLC-12		29		Ref. Winch Assembly <i>(refer to 305.1 or 306.1)</i>	
3A	6175	SCREW,HHC,3/8-16 X 1 SLC-18, SLC-24		30	49991	WINCH SPACER, 2 SPEED SLC,GRAY.....1	1
4	6019	SCREW,HHC,3/8-16 X 1.25 GRD 5		31	124790	KIT,CBL GRD,W/WRD DCALS,SLC.....1 <i>(Australia models) (assembly with word decals) (from SN SLC08-46919)</i>	1
5	109579	MAST STIFFENER,RT,GRAY.....1	1				
6	32473	WHEEL,ROLLER,NYLATRON,1.75.2					
7	33843	SPACER,MAST STIFFENER.....1	1				
8	6198	NUT,NYLOCK,1/2-13					
9	13005	SCREW,HHC,1/2-13 X 6,GRD.8.....1	1				
10	109580	MAST STIFFENER,LEFT,GRAY***.....1	1				
11	6095	WASHER,FLAT,USS,1/2",Y					
12	32475	BOLT-ROLLER,1/2-13X1.84 ZINC....2	2				
13	32474	GUARD,ROLLER, SL2,.....2	2				
14	33539	WINCH PLATE W/DECAL ST.....1	1				
15	12343	SCREW,HHC,1/4-20 X 3					
16	6091	NUT,NYLOCK,1/4-20.....1	1				
17	6600-S	INSTRUCT.TUBE SERVICE KIT....1	1				
--	31822	CAP,INSTRUCTION TUBE (RED)					
18	6653	CLAMP,1.88,#30 X 1/4,RUB CUSH.....2	2				
19	7265	RIVET,STEEL,P, .25 X .375.....2	2				
20	6732	SCREW,HHC,1/2-13 X 3.25					
21	11978	WASHER,FLAT,NYLON.515X.88X.093					
22	100309	ASSY,PIN & LANYARD***.....1	1				
23	6587	HANDLE GRIP, RUBBER .75 X 4.5.....2	2				
24	33385	WASHER,PUSH ON .75 SHAFT....2	2				
25	6564	WASHER,SHIM,.765X1.312 X.093**					
26	57788	WHEEL,POLY,6X2, 3/4**.....2	2				
27	100301	WELDMENT, LOADING WHEEL AXLE.....1	1				
27A	33618	WELDMNT,LOADING WHEEL,GRAY,SLC					
27B	33540	LOADING WHEEL ASSY ST/SL <i>(assembly with word decals) (includes items 23-26)</i>					

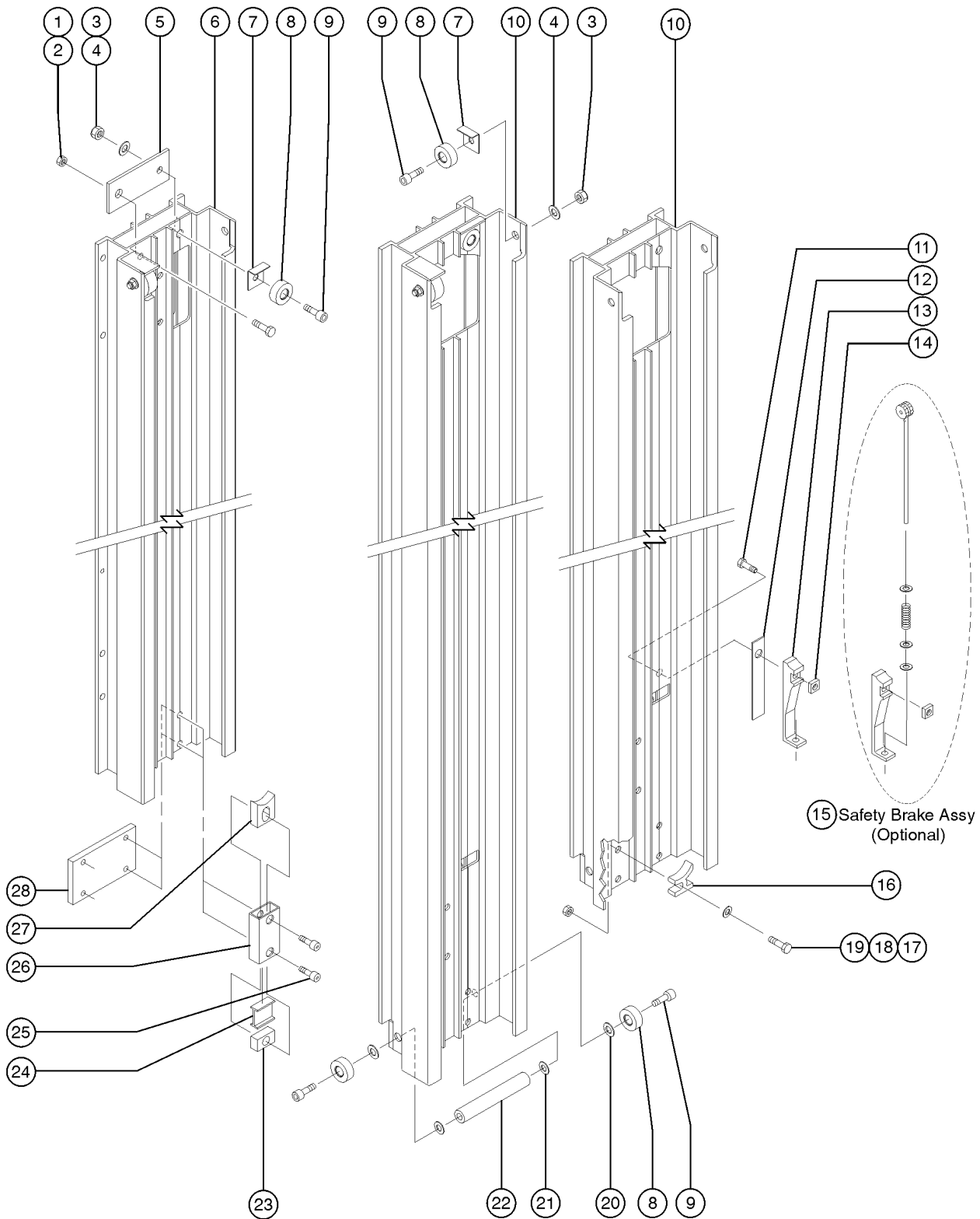


302.1 Mast Components, View 2



Item	Part No.	Description	Qty.
1	10597	SCREW,HHC,1/2-13 X 1.25 GR5	
2	6095	WASHER,FLAT,USS,1/2",Y	
3	6198	NUT,NYLOCK,1/2-13	
4	80987	KIT, CABLE ANCHOR BRK, SLC/ST*.....1	
5	6052	WASHER,SHIM,.5 X .875 X .063	
6	6086	NUT,LP NYLOCK,1/2-13	
7		Ref. Cable Assembly (refer to 304.1)	
8	32475	BOLT-ROLLER,1/2-13X1.84 ZINC....8	
9	13066	WASHER,FLAT,.5 HARDENED.....6	
10	32473	WHEEL,ROLLER,NYLATRON,1.75.8	
11	32474	GUARD,ROLLER, SL2,.....5	
12		Ref. Carriage (refer to 304.1)	
13	33811	COUPLER BAR ASSEMBLY,SLA&C,ST2.....1	
14	57016	PLATE,DOUBLER,SL MAST.....1	
15		Ref. Number 1 Column (refer to 304.1)	

303.1 Mast Components, View 3



303.1 Mast Components, View 3

Item	Part No.	Description	Qty.	Item	Part No.	Description	Qty.
1	7713	NUT,LP NYLOCK,3/8-16		9C	32475	BOLT-ROLLER,1/2-13X1.84 ZINC.....	24
2	8255	SCREW,HHC,3/8-16 X .75				SLC-24	
3	6198	NUT,NYLOCK,1/2-13.....	3	10		Ref. Number 2 Column (refer to 304.1)	
		SLC-6		11	35463	SCREW,FHS,3/8-16 X 1.5.....	1
3A	6198	NUT,NYLOCK,1/2-13.....	6			SLC-6	
		SLC-12		11A	35463	SCREW,FHS,3/8-16 X 1.5.....	2
3B	6198	NUT,NYLOCK,1/2-13.....	9			SLC-12	
		SLC-18		11B	35463	SCREW,FHS,3/8-16 X 1.5.....	3
3C	6198	NUT,NYLOCK,1/2-13.....	12			SLC-18	
		SLC-24		11C	35463	SCREW,FHS,3/8-16 X 1.5.....	4
4	6095	WASHER,FLAT,USS,1/2",Y.....	3			SLC-24	
		SLC-6		12	35442	SHIM,SAFETY BRAKE, SLC.....	1
4A	6095	WASHER,FLAT,USS,1/2",Y.....	6			SLC-6	
		SLC-12		12A	35442	SHIM,SAFETY BRAKE, SLC.....	2
4B	6095	WASHER,FLAT,USS,1/2",Y.....	9			SLC-12	
		SLC-18		12B	35442	SHIM,SAFETY BRAKE, SLC.....	3
4C	6095	WASHER,FLAT,USS,1/2",Y.....	12			SLC-18	
		SLC-24		12C	35442	SHIM,SAFETY BRAKE, SLC.....	4
5	57016	PLATE,DOUBLER,SL MAST.....	1			SLC-24	
6		Ref. Number 1 Column (refer to 304.1)		13	35443	UP STOP.....	2
7	32474	GUARD,ROLLER, SL2,.....	3			SLC-12 (models without safety brake) (not shown)	
		SLC-6		13A	35443	UP STOP.....	2
7A	32474	GUARD,ROLLER, SL2,.....	8			SLC-18 (models without safety brake) (not shown)	
		SLC-12		13B	35443	UP STOP.....	3
7B	32474	GUARD,ROLLER, SL2,.....	13			SLC-24 (models without safety brake) (not shown)	
		SLC-18		14	35408	NUT,SQUARE 3/8-16 NC, PLATED.....	1
7C	32474	GUARD,ROLLER, SL2,.....	18			SLC-6	
		SLC-24		14A	35408	NUT,SQUARE 3/8-16 NC, PLATED.....	2
8	32473	WHEEL,ROLLER,NYLATRON,1.75.3				SLC-12	
		SLC-6		14B	35408	NUT,SQUARE 3/8-16 NC, PLATED.....	3
8A	32473	WHEEL,ROLLER,NYLATRON,1.75.10				SLC-18	
		SLC-12		14C	35408	NUT,SQUARE 3/8-16 NC, PLATED.....	4
8B	32473	WHEEL,ROLLER,NYLATRON,1.75.17				SLC-24	
		SLC-18		15	35101	SAFETY BRAKE ASSY(SQ.NUT)SL2**.....	1
8C	32473	WHEEL,ROLLER,NYLATRON,1.75.24				SLC-6	
		SLC-24		15A	35101	SAFETY BRAKE ASSY(SQ.NUT)SL2**.....	2
9	32475	BOLT-ROLLER,1/2-13X1.84 ZINC....	3			SLC-12	
		SLC-6				SLC-12	
9A	32475	BOLT-ROLLER,1/2-13X1.84 ZINC.....	10				
		SLC-12					
9B	32475	BOLT-ROLLER,1/2-13X1.84 ZINC.....	17				
		SLC-18					

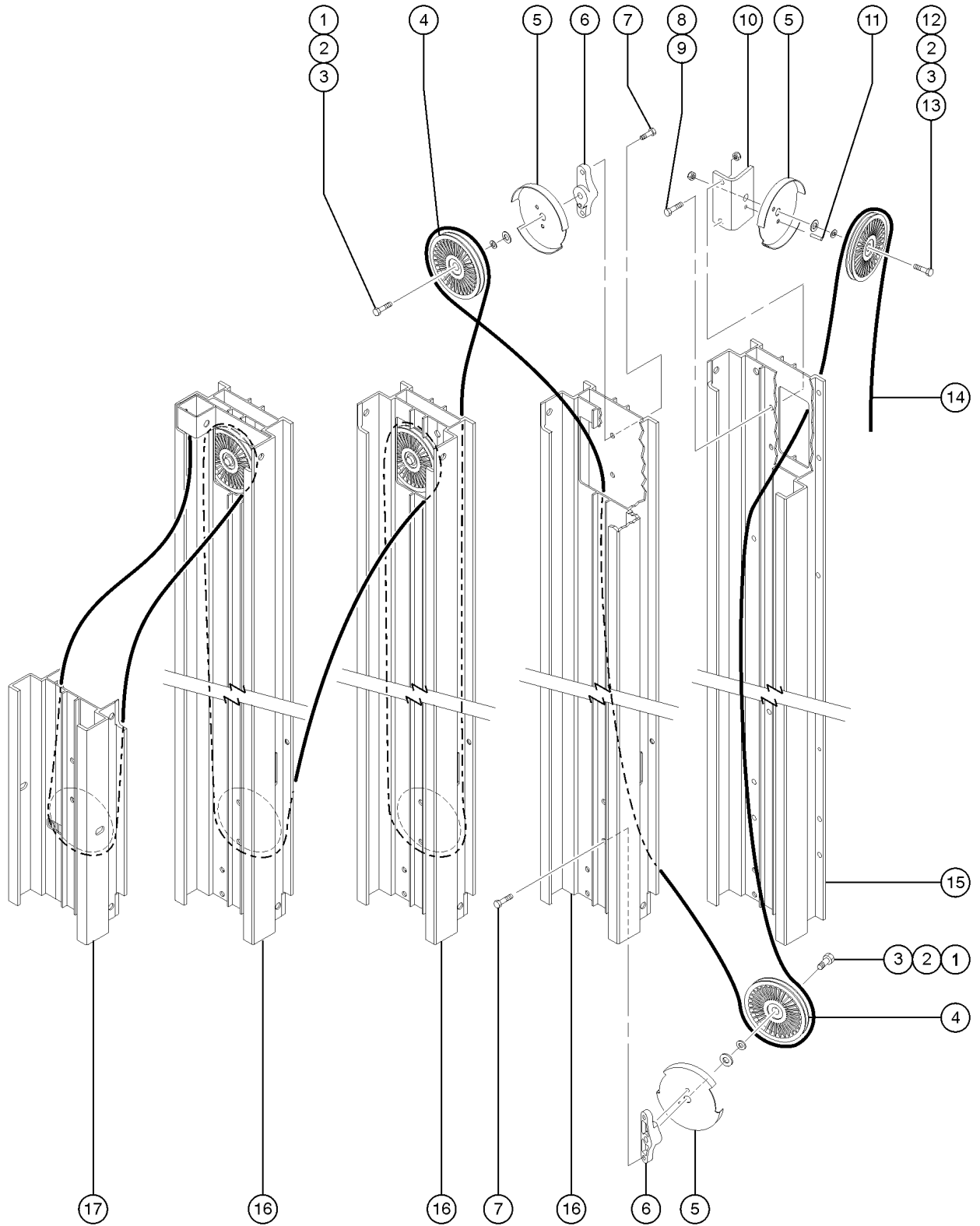


303.1 Mast Components, View 3
(continued)

Item	Part No.	Description	Qty.	Item	Part No.	Description	Qty.
15B	35101	SAFETY BRAKE ASSY(SQ.NUT)SL2**.....3 SLC-18	3	25B	57023	BOLT,SHOULDER,3/8-16 1.417 LNG.....12 SLC-24	12
15C	35101	SAFETY BRAKE ASSY(SQ.NUT)SL2**.....4 SLC-24	4	26	57021	TUBE,DOWNSTOP.....1 SLC-12	1
16	32522	DOWN STOP.....1	1	26A	57021	TUBE,DOWNSTOP.....4 SLC-18	4
17	6175	SCREW,HHC,3/8-16 X 1		26B	57021	TUBE,DOWNSTOP.....6 SLC-24	6
18	5397	WASHER,FLAT,USS,5/16",Y		27	57018	BLOCK,PLUNGER,DOWNSTOP....1 SLC-12	1
19	4828	NUT,NYLOCK,3/8-16		27A	57018	BLOCK,PLUNGER,DOWNSTOP....4 SLC-18	4
20	6052	WASHER,SHIM,.5 X .875 X .063....2 SLC-12	2	27B	57018	BLOCK,PLUNGER,DOWNSTOP....6 SLC-24	6
20A	6052	WASHER,SHIM,.5 X .875 X .063....4 SLC-18	4	28	57024	PLATE,DOUBLER,DOWNSTOP....1 SLC-12	1
20B	6052	WASHER,SHIM,.5 X .875 X .063....6 SLC-24	6	28A	57024	PLATE,DOUBLER,DOWNSTOP....2 SLC-18	2
21	13066	WASHER,FLAT,.5 HARDENED		28B	57024	PLATE,DOUBLER,DOWNSTOP....3 SLC-24	3
22	33811	COUPLER BAR ASSEMBLY,SLA&C,ST2.....1 SLC-6	1				
22A	33811	COUPLER BAR ASSEMBLY,SLA&C,ST2.....2 SLC-12	2				
22B	33811	COUPLER BAR ASSEMBLY,SLA&C,ST2.....3 SLC-18	3				
22C	33811	COUPLER BAR ASSEMBLY,SLA&C,ST2.....4 SLC-24	4				
23	57019	BLOCK,END,DOWNSTOP.....1 SLC-12	1				
23A	57019	BLOCK,END,DOWNSTOP.....4 SLC-18	4				
23B	57019	BLOCK,END,DOWNSTOP.....6 SLC-24	6				
24	57022	BUMPER,RUBBER,DOWNSTOP....1 SLC-12	1				
24A	57022	BUMPER,RUBBER,DOWNSTOP....4 SLC-18	4				
24B	57022	BUMPER,RUBBER,DOWNSTOP....6 SLC-24	6				
25	57023	BOLT,SHOULDER,3/8-16 1.417 LNG.....2 SLC-12	2				
25A	57023	BOLT,SHOULDER,3/8-16 1.417 LNG.....8 SLC-18	8				

This Page Intentionally Left Blank

304.1 Columns, Pulleys and Cables



304.1 Columns, Pulleys and Cables

Item	Part No.	Description	Qty.	Item	Part No.	Description	Qty.
1	10597	SCREW,HHC,1/2-13 X 1.25 GR5.....1 SLC-6	1	5D	80680	GUARD, CABLE.....2 SLC-6 (from SN SLC02-21795)	2
1A	10597	SCREW,HHC,1/2-13 X 1.25 GR5.....3 SLC-12	3	5E	80680	GUARD, CABLE.....4 SLC-12 (from SN SLC02-21795)	4
1B	10597	SCREW,HHC,1/2-13 X 1.25 GR5.....5 SLC-18	5	5F	80680	GUARD, CABLE.....6 SLC-18 (from SN SLC02-21795)	6
1C	10597	SCREW,HHC,1/2-13 X 1.25 GR5.....7 SLC-24	7	5G	80680	GUARD, CABLE.....8 SLC-24 (from SN SLC02-21795)	8
2	37038	WASHER,FLAT,.5X .125,HARDENED*2 SLC-6	2	6	32470	PULLEY MOUNT , SL-2.....1 SLC-6	1
2A	37038	WASHER,FLAT,.5X .125,HARDENED*4 SLC-12	4	6A	32470	PULLEY MOUNT , SL-2.....3 SLC-12	3
2B	37038	WASHER,FLAT,.5X .125,HARDENED*6 SLC-18	6	6B	32470	PULLEY MOUNT , SL-2.....5 SLC-18	5
2C	37038	WASHER,FLAT,.5X .125,HARDENED*8 SLC-24	8	6C	32470	PULLEY MOUNT , SL-2.....7 SLC-24	7
3	6052	WASHER,SHIM,.5 X .875 X .063.....2 SLC-6	2	7	8255	SCREW,HHC,3/8-16 X .75.....2 SLC-6	2
3A	6052	WASHER,SHIM,.5 X .875 X .063.....4 SLC-12	4	7A	8255	SCREW,HHC,3/8-16 X .75.....6 SLC-12	6
3B	6052	WASHER,SHIM,.5 X .875 X .063.....6 SLC-18	6	7B	8255	SCREW,HHC,3/8-16 X .75.....8 SLC-18	8
3C	6052	WASHER,SHIM,.5 X .875 X .063.....8 SLC-24	8	7C	8255	SCREW,HHC,3/8-16 X .75.....10 SLC-24	10
4	49999	PULLEY W/BEARING 4.65X.5 '98**2 SLC-6	2	8	6019	SCREW,HHC,3/8-16 X 1.25 GRD 5	
4A	49999	PULLEY W/BEARING 4.65X.5 '98**4 SLC-12	4	9	4828	NUT,NYLOCK,3/8-16	
4B	49999	PULLEY W/BEARING 4.65X.5 '98**6 SLC-18	6	10	33700	PULLEY MOUNT,#1 COLUMN,GRY,SLC.....1	1
4C	49999	PULLEY W/BEARING 4.65X.5 '98**8 SLC-24	8	11	32483	PIN,ROLL,.25 X .50.....1	1
5	32476	GUARD,CABLE***2 SLC-6 (to SN SLC02-21794)	2	12	22788	SCREW,HHC,1/2-13 X 1.75	
5A	32476	GUARD,CABLE***4 SLC-12 (to SN SLC02-21794)	4	13	6198	NUT,NYLOCK,1/2-13	
5B	32476	GUARD,CABLE***6 SLC-18 (to SN SLC02-21794)	6	14	35005	CABLE ASSEMBLY, SLC-6.....1 SLC-6; Does not Include Cable Replacement Coupler	1
5C	32476	GUARD,CABLE***8 SLC-24 (to SN SLC02-21794)	8	--	12402	CABLE REPLACEMENT COUPLER Sold Separately	
				--	52701	VIDEO,NTSC,SLA,CABLING PROCDR Sold Separately	
				14A	6099	CABLE ASSEMBLY SL 408" SLC-12; Does not Include Cable Replacement Coupler	
				14B	7250	CABLE ASSY SL/ST 588" 3/16"*** SLC-18; Does not Include Cable Replacement Coupler	

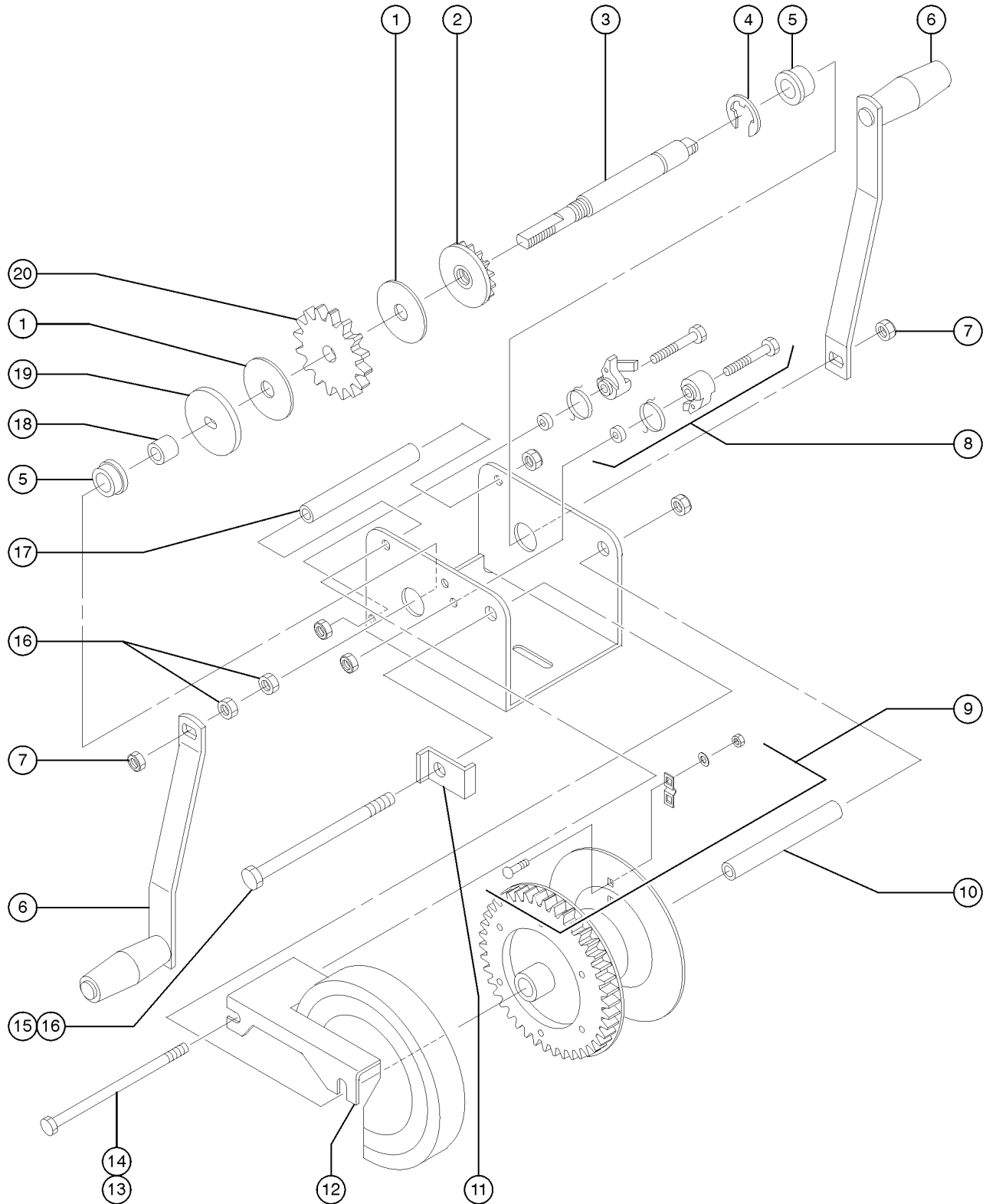


304.1 Columns, Pulleys and Cables
(continued)

Item	Part No.	Description	Qty.
14C	7251	CABLE ASSY SL/ST 756" 3/16"*** SLC-24; Does not Include Cable Replacement Coupler	
15	57028-S	COLUMN#1,MACHINED,SLC SERV.....1 ALL MODELS	1
16	57029-S	COLUMN#2,,MACHINED,SLC SERV.....1 SLC-12	1
16A	57029-S	COLUMN#2,,MACHINED,SLC SERV.....2 SLC-18	2
16B	57029-S	COLUMN#2,,MACHINED,SLC SERV.....3 SLC-24 (from SN 9599-4578)	3
16C	33833	COLUMN,#2,SL CONTRACTOR.....3 SLC-24 (to SN 9599-4577)	3
17	57031	CARRIAGE,SL CONTRACTOR***...1 ALL MODELS	1

This Page Intentionally Left Blank

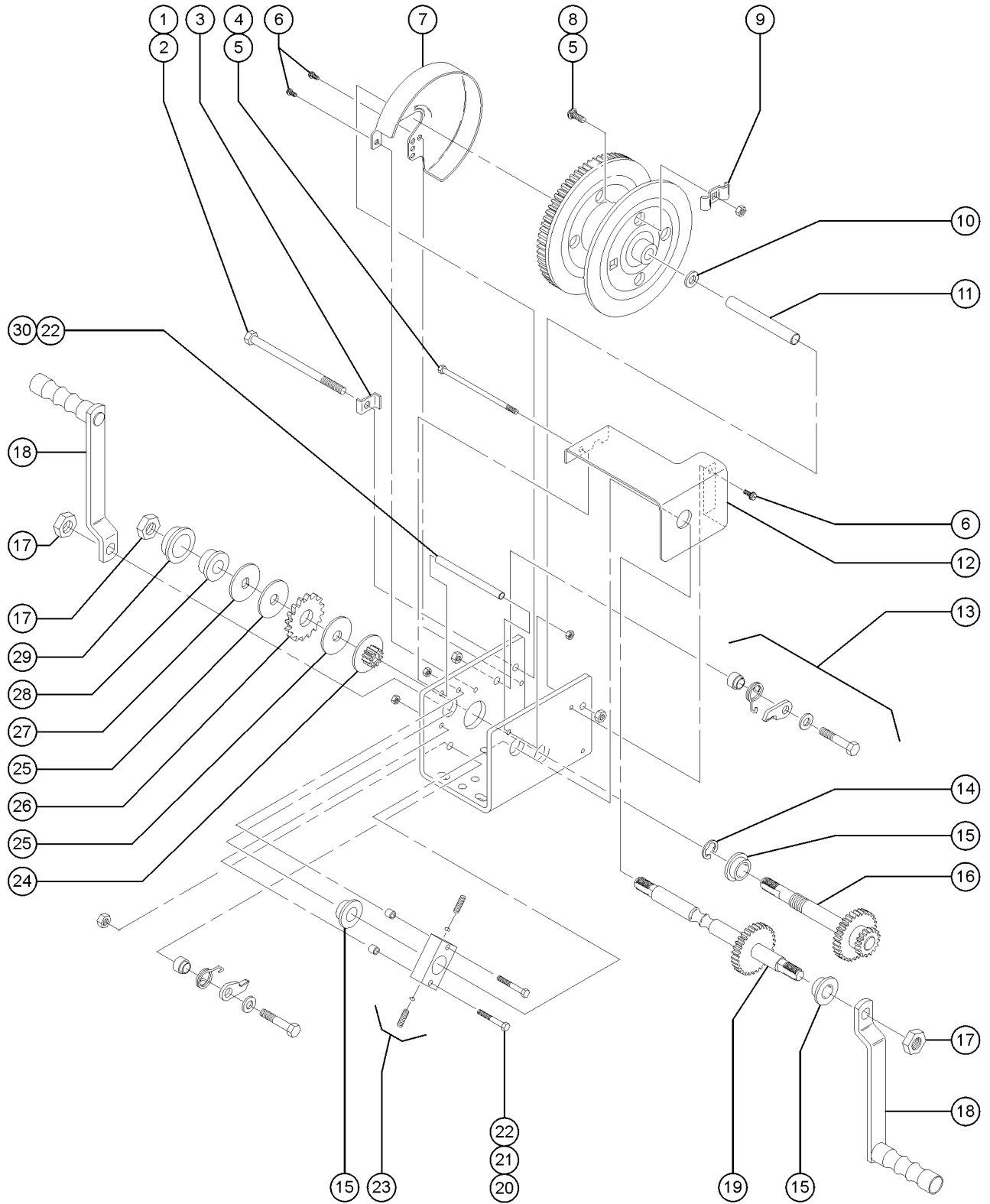
305.1 Winch Components - Single Speed



305.1 Winch Components - Single Speed

Item	Part No.	Description	Qty.
--	32945	WINCH,W/DECAL 1SPEED SL/ST (refer to 101.1, 102.1 or 103.1) (handle not included)	
1	7571	BRAKE DISK,.5 BORE,K-1550.....2	
2	7590	PINION GEAR AND DISC K-1550...1	
3	32891	SHAFT,PINION.....1	
4	6200	RETAINING RING.....1	
5	6199	BUSHING, SMALL PINION, FULTON.....2	
6	33143	WINCH HANDLE 6" STD.....2 SLC-6	
6A	33144	WINCH HANDLE 8" STD.....2 SLC-12, SLC-18, SLC-24 (shown) (vertical slot)	
6B	16343	WINCH HANDLE-O.A.LENGTH-8".....2 SLC-12, SLC-18, SLC-24 (parallel slot)	
7	6086	NUT,LP NYLOCK,1/2-13	
8	40458	RATCHET PAWL KIT.....1	
9	6190	CABLE KEEP.KIT (BRACKET TYPE)*.....1	
--	25625	NUT,HEX,10-24.....2	
--	80159	CARRIAGE BOLT.....2	
--	80160	KEEPER-CABLE (32525).....1	
--	80161	WASHER-STAR,INTERN,5/8"(32525).2	
10	6184	SPACER, DRUM BOLT, K-1550.....1	
11	31946	WINCH BRACKET, DRUM BOLT LOCK.....1	
12	6770	WINCH GEAR COVERS, K-1500.....1	
13	7256	SCREW,HHC,5/16-18 X 6 GRD.2	
14	6782	NUT,NYLOCK,5/16-18.....1	
15	6185	BOLT, DRUM SPACER.....1	
16	6034	NUT,HEX,JAM,1/2-13.....3	
17	7584	FRAME SPACER,K-1550.....1	
18	32890	SPACER,PINION SHAFT.....1	
19	7591	WINCH PINION PLATE, K-1550.....1	
20	6777	RATCHET GEAR,K-1550 1/2" I.D.....1	

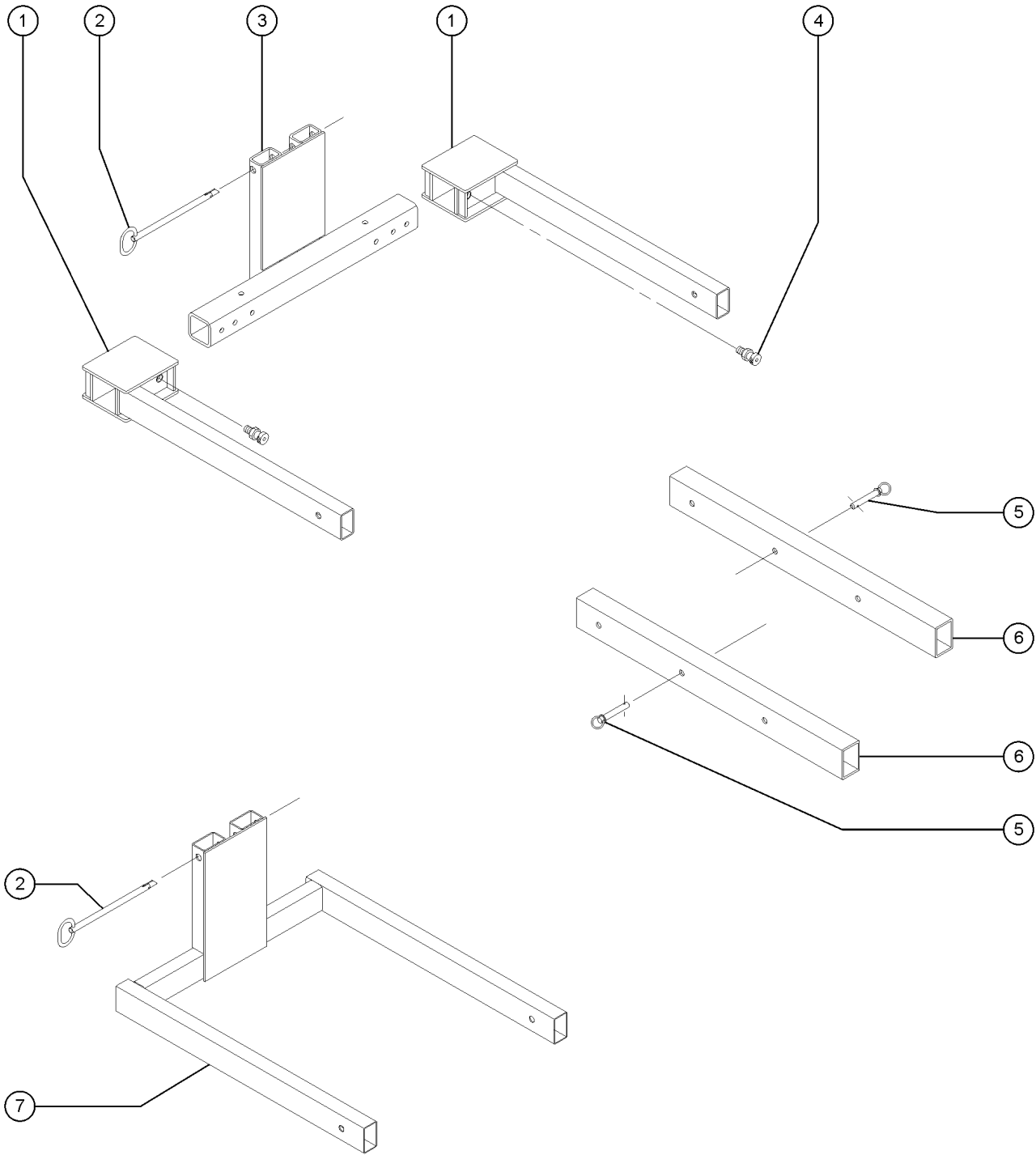
306.1 Winch Components - Two Speed (from 9501-16466)



306.1 Winch Components - Two Speed (from 9501-16466)

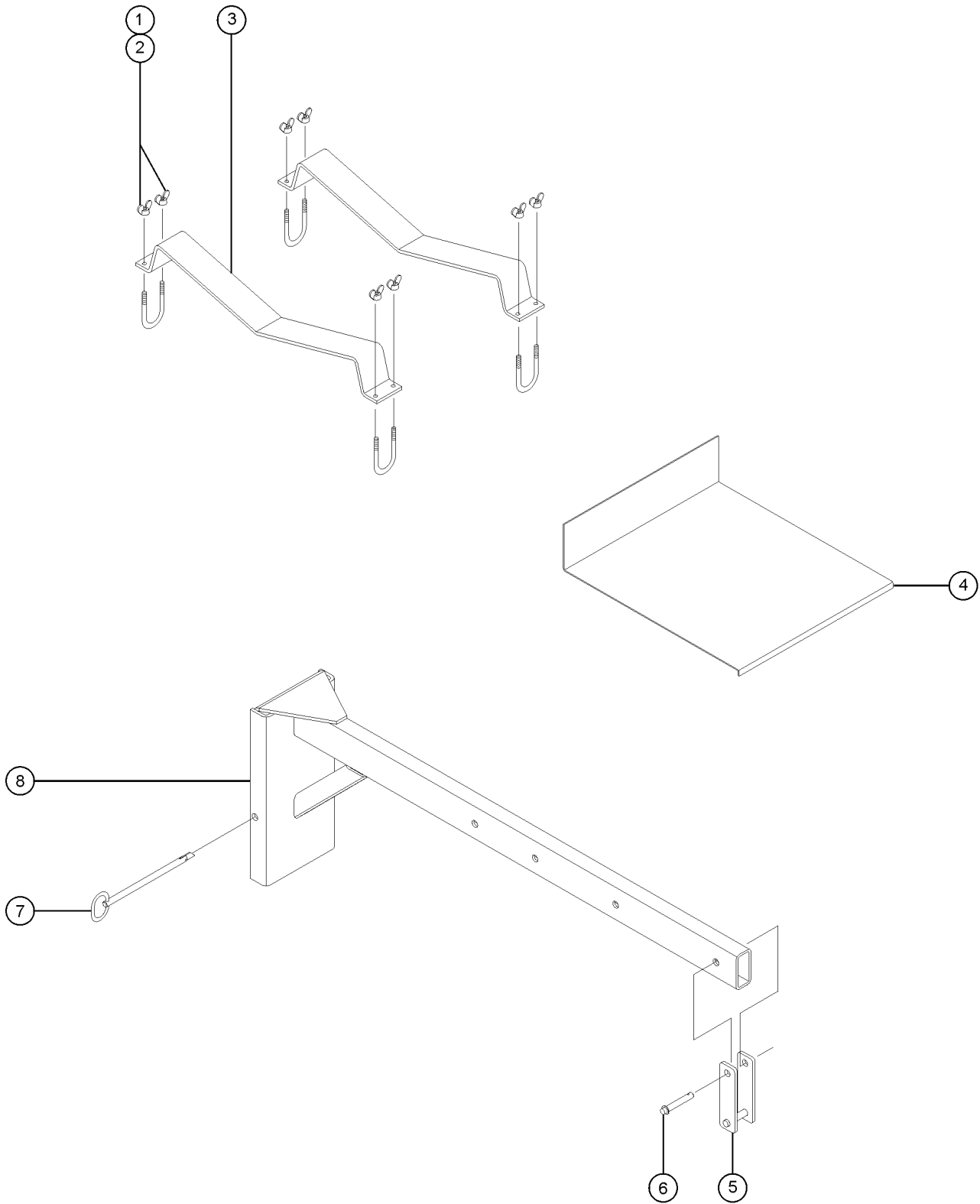
Item	Part No.	Description	Qty.	Item	Part No.	Description	Qty.
--	32946	WINCH W/DECAL,2 SPEED*** (from SN 9501-16466)		27	40122	WASHER,DOUBLE D.....	1
--	40130	CABLE KEEPER KIT (33090) (includes item numbers 5, 8 and 9)		28	40123	SPACER.....	1
1	78037	SCREW,HHC,3/8-16 X 5.5		29	37064	BUSHING,PINION SHAFT,DLB800*.....	1
2	4828	NUT,NYLOCK,3/8-16		29	85182	SINTERED IRON BEARING,1-1/4**.....	1
3	80145	LOCK-BOLT, REEL (80056).....	1	30	40128	BASE SPACER.....	1
4	80146	SCREW,HHC,1/4-20 X 5.25(80056)					
5	6091	NUT,NYLOCK,1/4-20					
6	80147	SCREW-THRD FORM,HH-SLT, 1/2"					
7	80148	COVER - REEL (80056).....	1				
8	80149	BOLT,CARRIAGE,1/4-20 X .5,G2					
9	37065	CABLE KEEPER, DLB800.....	1				
10	80150	WASHER-FLAT, 1/2" (80056)					
11	40113	REEL SPACER.....	1				
12	80151	COVER-GEAR (80056).....	1				
13	40117	RATCHET PAWL KIT, (33090).....	1				
--	4828	NUT,NYLOCK,3/8-16					
--	5397	WASHER,FLAT,USS,5/16",Y					
--	80152	SPACER-RATCHET (80056)					
--	80153	SPRING-RATCHET (80056)					
--	80154	PAWL-RATCHET (80056)					
--	8516	SCREW,HHC,3/8-16 X 1.50					
14	40116	E-RING, 3/4.....	1				
15	40126	BEARING, SINTERED IRON, 3/4					
16	80155	SHAFT ASSY,INTERMED. (80056).....	1				
17	38028	NUT,LP NYLOCK,5/8-11					
18	40125	HANDLE ASSY., 8-INCH, OFFSET.....	2				
19	72264	SHAFT ASSY, PRIMARY.....	1				
20	6145	SCREW,HHC,1/4-20 X 1.5					
21	40115	BRAKE SPRING SPACER.....	2				
22	6889	NUT,LP NYLOCK,1/4-20					
23	40127	DETENT BLOCK ASSY.....	1				
--	40509	DETENT SPRING.....	2				
--	40510	DETENT BALL.....	2				
--	80156	BLOCK-DETENT (80056).....	1				
24	80157	GEAR-PINION (80056).....	1				
25	37061	BRAKE FACE,DLB800.....	2				
26	37062	RATCHET GEAR, DLB800.....	1				

401.1 Forks



Item	Part No.	Description	Qty.
--	33543-S	SLC, ADJ FORK ASSEMBLY <i>includes items 1 - 4</i>	
1	33707-S	WELDMENT,ARM ADJ. FORK,"GRAY".....	2
2	48301	PIN,TOGGLE,.50 X 8.13***.....	2
3	35821	CARRIER - ADJ.FORK,-ST2.....	1
4	33674	PIN,LOCK,SHORT***.....	2
5	80679	PIN,BALL RET.-.5 X 2.7.....	2
6	33366-S	FORK EXTENSION, SINGLE***.....	2
7	33984	FORK,STD W/WORD DECALS SLC.....	1

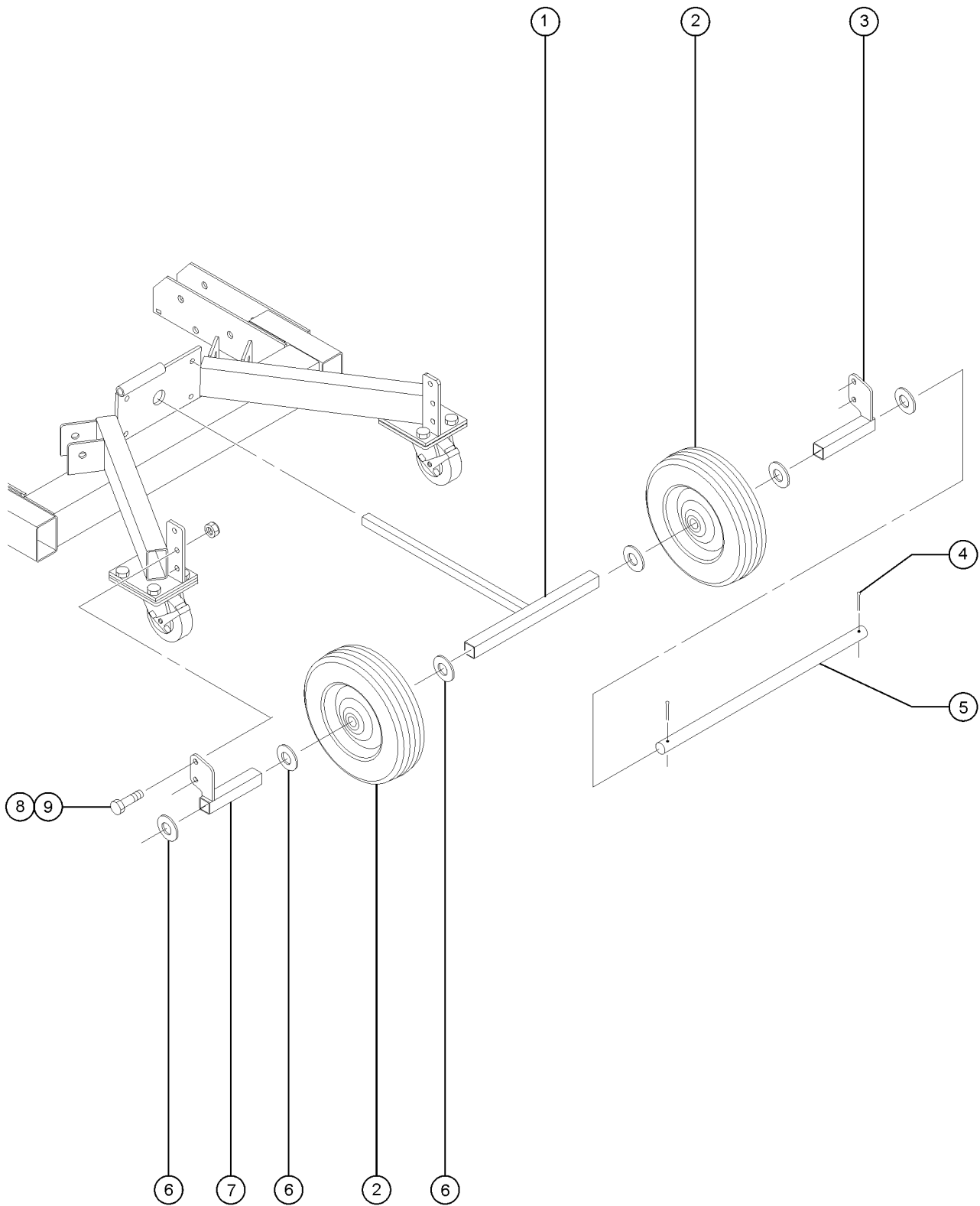
402.1 Pipe Cradle, Load Platform and Boom Arm



402.1 Pipe Cradle, Load Platform and Boom Arm

Item	Part No.	Description	Qty.
1	8170	NUT,WING,1/4-20.....	8
2	33045	U-BOLT,1/4-20 SL2 PIPE CRADLE	
3	80597	PIPE CRADLE, BLUE.....	2
4	35021	LOAD PLATFORM W/DECALS, SLC.....	1
5	32579-S	WELDMENT,CLEVIS STD. BOOM.....	1
6	80679	PIN,BALL RET.-.5 X 2.7.....	1
7	48301	PIN,TOGGLE,.50 X 8.13***	1
8	229447	SLC STD.BOOM ASSY/SERVICE/GRAY <i>gray; includes items 5, 6 and 7</i>	
8	32567-S	SLA/SLC STD.BOOM ASSY/SERVICE.....	1
		<i>blue; includes items 5, 6 and 7</i>	

403.1 Rear Wheels



Item	Part No.	Description	Qty.
--	35848-S	SL REAR TRANSPORT WHEEL ASSY	
1	33831-S	WHEEL SPACER WELDMENT,SL"GRAY".....1	1
2	35064	WHEEL,SOLID RUBBER,10X.75X2.75.....2 (to SN SLC07-39655)	2
2A	124000	WHEEL,TRANSPORT SL 10X.75X2.75 (from SN SLC07-39656)	
3	33830-S	WHEEL SPACER MOUNT WELD,RH,SL.....1	1
4	6094	PIN,COTTER,.125 X 1.....2	2
5	57237	AXLE ROD, TRANSPORT WHEEL,SL.....1	1
6	6564	WASHER,SHIM,.765X1.312 X.093**	
7	33829-S	WHEEL SPACER MNT WELD LH,SL.....1	1
8	6019	SCREW,HHC,3/8-16 X 1.25 GRD 5	
9	4828	NUT,NYLOCK,3/8-16	

Part Number Index

The Part Number Index is a numeric index of all part numbers included in this manual. The index shows what page(s) the part is used on.

Part Number	Page	Part Number	Page	Part Number	Page	Part Number	Page
10030121	3398211	5875017	9753915
10030919, 21	3398437	601917, 21, 29-30, 41	9754115
1059723, 29-30	3500529-30	603319	9754315
1059819	3501519	603419, 33	9754515
10957921	3501619	605223, 26, 29-30	9754615
10958021	3501719	608619, 23, 33	9754713
1133719	3501819	609121, 35		
1189017	3501919	609417, 41		
1197821	3502139	609519, 21, 23, 25-26		
1201617	3506417, 41	609719, 21		
1234321	3510125-26	609929-30		
12400017, 41	3521219	614535		
1240229-30	3521319	617517, 19, 21, 26		
12479021	3540825-26	618433		
1300521	3544225-26	618533		
1306623, 26	3544325-26	619033		
1634333	3546325-26	619821, 23, 25-26, 29-30		
2144317	3581921	619933		
2278829-30	3582137	620033		
22944739	3583421	632621		
2562533	35848-S41	656417, 21, 41		
3107211, 13	3703829-30	658721		
3182221	3706135	6600-S21		
3194633	3706235	665321		
3247029-30	3706435	673219, 21		
3247321, 23, 25-26	3706535	677033		
3247421, 23, 25-26	3802835	677733		
3247521, 23, 25-26	4011335	678233		
3247629-30	4011535	678233		
3248329-30	4011635	688935		
3249919	4011735	7226435		
3250919	4012235	725029-30		
3251919	4012335	725130		
3252226	4012535	725633		
3252419	4012635	726521		
32567-S39	4012735	757133		
3257619	4012835	758433		
3257719	4013035	759033		
32579-S39	4045833	759133		
3268711, 13	4050935	771325-26		
3271411, 13	4051035	7803735		
3271611, 13	4051311, 13	80141-S17		
3271711, 13	482817, 19, 21, 26, 29-30, 35, 41	80142-S17		
3277011, 13			80143-S17		
3277511, 13	4830117, 37, 39	80144-S17		
3288319	4837311	8014535		
3288419	4999121	8014635		
3288511, 13	4999929-30	8014735		
3289033	522419	8014835		
3289133	5267511, 13	8014935		
3293811, 13	5270129-30	8015035		
3293911, 13	5298411, 13, 15	8015135		
3294533	5299211, 13, 15	8015235		
3294635	5299311, 13, 15	8015335		
3304539	5299411, 13, 15	8015435		
3314333	5299511, 13, 15	8015535		
3314433	539726, 35	8015635		
33366-S37	5701623, 25-26	8015735		
3337319	5701826	8015933		
3338521	5701926	8016033		
3346811, 13	5702126	8016133		
3353921	5702226	8059739		
3354021	5702326	8067937, 39		
33543-S37	5702426	8068029-30		
3361821	57028-S30	8098723		
3365817	57029-S30	817039		
3367437	5703130	8248715		
3370029-30	5723717, 41	825525-26, 29-30		
33707-S37	5773419	8296415		
3381123, 26	5773517	8480611		
33829-S17, 41	5774619	8480711		
33830-S17, 41	5778219	851619, 35		
33831-S17, 41	5778821	8518235		
3383330	5809419	9752913		
3384321	5809517	9753215		

The Part Description Index is an alphabetical index of all part descriptions included in this manual. The index shows what page(s) the part is used on.

A

ASSY,PIN & LANYARD***.....19, 21
 AXLE ROD, TRANSPORT WHEEL,SL.....17,
 41
 AXLE TUBE, SL2 LEG.....19

B

BASE ASSY W/DECALS, SLC-12.....17
 BASE ASSY W/DECALS, SLC-18.....17
 BASE ASSY W/DECALS, SLC-24.....17
 BASE ASSY W/DECALS,SLC-6.....17
 BASE SPACER.....35
 BEARING, SINTERED IRON, 3/4.....35
 BLOCK,END,DOWNSTOP.....26
 BLOCK,PLUNGER,DOWNSTOP.....26
 BLOCK-DETENT (80056).....35
 BOLT, DRUM SPACER.....33
 BOLT,CARRIAGE,1/4-20 X .5,G2.....35
 BOLT,SHOULDER,3/8-16 1.417 LNG.....26
 BOLT-ROLLER,1/2-13X1.84 ZINC.....21, 23,
 25-26
 BRACKET, STAB.MOUNT,"GRAY".....19
 BRAKE DISK,.5 BORE,K-1550.....33
 BRAKE FACE,DLB800.....35
 BRAKE SPRING SPACER.....35
 BUMPER,RUBBER,DOWNSTOP.....26
 BUSHING, SMALL PINION, FULTON.....33
 BUSHING,PINION SHAFT,DLB800*.....35

C

CABLE ASSEMBLY SL 408".....29-30
 CABLE ASSEMBLY, SLC-6.....29-30
 CABLE ASSY SL/ST 588" 3/16"***.....29-30
 CABLE ASSY SL/ST 756" 3/16"***.....30
 CABLE KEEPER KIT (BRACKET TYPE)*.....33
 CABLE KEEPER KIT (33090).....35
 CABLE KEEPER, DLB800.....35
 CABLE REPLACEMENT COUPLER.....29-30
 CAP,INSTRUCTION TUBE (RED).....21
 CARRIAGE BOLT.....33
 CARRIAGE,SL CONTRACTOR***.....30
 CARRIER - ADJ.FORK,-ST2.....37
 CASTER,PL,SW,SB, 5 X 1.5***.....17
 CASTER,POST,SW,3.5X1.25,1/2-13.....19
 CASTER,SL,SW, 4 X 1.5.....19
 CLAMP TUBE,STABILIZER-"GRAY".....19
 CLAMP,1.88,#30 X 1/4,RUB CUSH.....21
 COLUMN#1,MACHINED,SLC SERV.....30
 COLUMN#2,,MACHINED,SLC SERV.....30
 COLUMN,#2,SL CONTRACTOR.....30
 COUPLER BAR ASSEMBLY,SLA&C,ST2.....23,
 26
 COVER - REEL (80056).....35
 COVER-GEAR (80056).....35

D

DECAL KIT, SAFETY/INST, SLC.....11
 DECAL KIT, SYMBOLS, SLC.....11
 DECAL KIT, WORDS SLC.....11
 DECAL,2 SPD.WINCH SYMB.....15
 DECAL,2 SPD.WINCH**.....11, 13
 DECAL,CAUTION,DAMAGD MACHINE.....11,
 13
 DECAL,CAUTION,MOVING PARTS.....13

DECAL,CAUTION,MOVING PARTS SYM.....15
 DECAL,COSMETIC,SLC-12.....11, 13, 15
 DECAL,COSMETIC,SLC-18.....11, 13, 15
 DECAL,COSMETIC,SLC-24.....11, 13, 15
 DECAL,COSMETIC,SLC-6.....11, 13, 15
 DECAL,CRUSHING HAZ/BRAKE LOCK.....11,
 13
 DECAL,DANGER,ELEC.HAZ.....13, 15
 DECAL,GENIE SUPERLIFT CONTRACT.....11,
 13, 15
 DECAL,LABEL,OPER.MAN.STORAGE.....11,
 13
 DECAL,LABEL,WINCH ONLY.....11, 13
 DECAL,LABEL,WINCH ONLY SYMB.....15
 DECAL,NOTICE BOOM SETUP.....11, 13
 DECAL,SILENT WINCH.....11, 13
 DECAL,SYMBOL-READ THE MANUAL.....15
 DECAL,WARNING ADJ. FORK SETUP.....11,
 13
 DECAL,WARNING BOOM SAFETY.....11, 13
 DECAL,WARNING STD.FORK SAFETY.....11,
 13
 DECAL,WARNING,BRAKE LOCK SYMB.....15
 DECAL,WARNING,FALL HAZARD.....11, 13
 DECAL,WARNING,LOAD CHART SLC.....15
 DECAL,WARNING,NO RIDERS.....11, 13
 DECAL,WARNING,NO RIDERS SYMB.....15
 DECAL,WARNING/SAFETY-SLC.....11, 13
 DETENT BALL.....35
 DETENT BLOCK ASSY.....35
 DETENT SPRING.....35
 DOWN STOP.....26

E

E CLIP,.875 IN.SL LEG.....19
 E-RING, 3/4.....35

F

FORK EXTENSION, SINGLE***.....37
 FORK,STD W/WORD DECALS SLC.....37
 FRAME SPACER,K-1550.....33

G

GEAR-PINION (80056).....35
 GLIDE BUTTON,SIDE,GLL,100 TK.....17
 GUARD, CABLE.....29-30
 GUARD,CABLE**.....29-30
 GUARD,ROLLER, SL2,.....21, 23, 25-26

H

HANDLE ASSY., 8-INCH, OFFSET.....35
 HANDLE GRIP, RUBBER .75 X 4.5.....21
 HOLD DOWN KIT W/DECAL SL LONG.....17
 HOLD DOWN KIT W/DECAL SL SHORT.....17

I

INSTRUCT.TUBE SERVICE KIT.....21

K

KEEPER-CABLE (32525).....33
 KIT, CABLE ANCHOR BRK, SLC/ST*.....23
 KIT,CBL GRD,W/WRD DCALS,SLC.....21

L

LATCH PLATE,STABILIZER SL2.....19
 LOAD PLATFORM W/DECALS, SLC.....39
 LOADING WHEEL ASSY ST/SL.....21
 LOADING WHEEL WELD.W/DECAL SL2.....21
 LOCK-BOLT, REEL (80056).....35

M

MAST STIFFENER,LEFT,GRAY***.....21
 MAST STIFFENER,RT,GRAY.....21

N

NUT,HEX,10-24.....33
 NUT,HEX,JAM,1/2-13.....19, 33
 NUT,LP NYLOCK,1/2-13.....19, 23, 33
 NUT,LP NYLOCK,1/4-20.....35
 NUT,LP NYLOCK,3/8-16.....25-26
 NUT,LP NYLOCK,5/8-11.....35
 NUT,NYLOCK,1/2-13.....21, 23, 25-26, 29-30
 NUT,NYLOCK,1/4-20.....21, 35
 NUT,NYLOCK,3/8-16.....17, 19, 21, 26, 29-30,
 35, 41
 NUT,NYLOCK,5/16-18.....33
 NUT,SQUARE 3/8-16 NC, PLATED.....25-26
 NUT,WING,1/4-20.....39

P

PAWL-RATCHET (80056).....35
 PIN,BALL RET.-.5 X 2.7.....37, 39
 PIN,COTTER,.125 X .75.....17
 PIN,COTTER,.125 X 1.....17, 41
 PIN,LOCK,SHORT***.....37
 PIN,ROLL,.25 X .50.....29-30
 PIN,ROLL,.25 X 1.25.....19
 PIN,TOGGLE,.50 X 8.13***.....17, 37, 39
 PINION GEAR AND DISC K-1550.....33
 PIPE CRADLE, BLUE.....39
 PIVOT TUBE SL2 LEG.....19
 PIVOT TUBE,STABILIZER.....19
 PLATE,DOUBLER,DOWNSTOP.....26
 PLATE,DOUBLER,SL MAST.....23, 25-26
 PULLEY MOUNT , SL-2.....29-30
 PULLEY MOUNT,#1 COLUMN,GRY,SLC.....29-
 30
 PULLEY W/BEARING 4.65X.5 '98**.....29-30

R

RATCHET GEAR, DLB800.....35
 RATCHET GEAR,K-1550 1/2" I.D.....33
 RATCHET PAWL KIT.....33
 RATCHET PAWL KIT, (33090).....35
 REEL SPACER.....35
 RETAINING RING.....33
 RIVET,STEEL,P .25 X .375.....21

S

SAFETY BRAKE ASSY(SQ.NUT)SL2**.....25-
 26
 SCREW,FHS,3/8-16 X 1.5.....25-26
 SCREW,HHC,1/2-13 X 1.25 GR5.....23, 29-30
 SCREW,HHC,1/2-13 X 1.75.....29-30
 SCREW,HHC,1/2-13 X 3.....19
 SCREW,HHC,1/2-13 X 3.25.....19, 21

Part Description Index (continued)

SCREW,HHC,1/2-13 X 6,GRD.8.....21
 SCREW,HHC,1/4-20 X 1.5.....35
 SCREW,HHC,1/4-20 X 3.....21
 SCREW,HHC,1/4-20 X 5.25(80056).....35
 SCREW,HHC,3/8-16 X .75.....25-26, 29-30
 SCREW,HHC,3/8-16 X 1.....17, 19, 21, 26
 SCREW,HHC,3/8-16 X 1.25 GRD 5.....17, 21,
 29-30, 41
 SCREW,HHC,3/8-16 X 1.50.....19, 35
 SCREW,HHC,3/8-16 X 2.....19
 SCREW,HHC,3/8-16 X 3.....21
 SCREW,HHC,3/8-16 X 5.5.....35
 SCREW,HHC,5/16-18 X 6 GRD.2.....33
 SCREW-THRD FORM,HH-SLT, 1/2".....35
 SERIAL NUMBER PLATE, SL CONTR.....11
 SHAFT ASSY, PRIMARY.....35
 SHAFT ASSY,INTERMED. (80056).....35
 SHAFT,PINION.....33
 SHIM,.75 X.45 X.064.....17
 SHIM,SAFETY BRAKE, SLC.....25-26
 SINTERED IRON BEARING,1-1/4*.....35
 SL REAR TRANSPORT WHEEL ASSY.....41
 SLA/SLC STD.BOOM ASSY/SERVICE.....39
 SLC STD.BOOM ASSY/SERVICE/GRAY.....39
 SLC, ADJ FORK ASSEMBLY.....37
 SPACER.....35
 SPACER, DRUM BOLT, K-1550.....33
 SPACER,MAST STIFFENER.....21
 SPACER,PINION SHAFT.....33
 SPACER-RATCHET (80056).....35
 SPRING,HOLDOWN SL2E.....17
 SPRING,STABILIZER LATCH SL2.....19
 SPRING-RATCHET (80056).....35
 STABILIZER STRUT,ASSY.....19
 STRUT, LH, SL2.....19
 STRUT, RH, SL2.....19

T

TUBE,DOWNSTOP.....26

U

U-BOLT,1/4-20 SL2 PIPE CRADLE.....39
 UP STOP.....25-26

V

VIDEO,NTSC,SLA,CABLING PROCDR.....29-
 30

W

WASHER,DOUBLE D.....35
 WASHER,FLAT,5 HARDENED.....23, 26
 WASHER,FLAT,.5X .125,HARDENED*.....29-
 30
 WASHER,FLAT,NYLON.515X.88X.093.....21
 WASHER,FLAT,USS,1/2",Y.....19, 21, 23, 25-
 26
 WASHER,FLAT,USS,3/8",Y.....19, 21
 WASHER,FLAT,USS,5/16",Y.....26, 35
 WASHER,LOCK,0.5".....19
 WASHER,PUSH ON .75 SHAFT.....21
 WASHER,SHIM,.5 X .875 X .063.....23, 26, 29-
 30
 WASHER,SHIM,.765X1.312 X.093*.....17, 21,
 41
 WASHER,SHIM,1.50 X .890 X .09.....19
 WASHER-FLAT, 1/2" (80056).....35
 WASHER-STAR,INTERN,5/8"(32525).....33

WELDMNT, LEG, SLC-12 GRAY.....19
 WELDMNT, LEG, SLC-24 GRAY.....19
 WELDMNT, LEG, SLC-6 GRAY.....19
 WELDMNT, LOADING WHEEL AXLE.....21
 WELDMNT, STABILIZER, SLC GRAY.....19
 WELDMNT,ARM ADJ. FORK,"GRAY".....37
 WELDMNT,CLEVIS STD. BOOM.....39
 WELDMNT,LEG,SLC-18 GRAY***.....19
 WELDMNT,LOADING WHEEL,GRAY,SLC.....21
 WHEEL SPACER MNT WELD LH,SL.....17, 41
 WHEEL SPACER MOUNT WELD,RH,SL.....17,
 41
 W H E E L S P A C E R
 WELDMNT,SL"GRAY".....17, 41
 WHEEL,POLY,6X2, 3/4*.....21
 WHEEL,POLYOLEFIN,2.5X1.25,7/8.....19
 WHEEL,ROLLER,NYLATRON,1.75.....21, 23,
 25-26
 WHEEL,SOLID RUBBER,10X.75X2.75.....17,
 41
 WHEEL,TRANSPORT SL 10X.75X2.75.....17,
 41
 WINCH BRACKET, DRUM BOLT LOCK.....33
 WINCH GEAR COVERS, K-1500.....33
 WINCH HANDLE 6" STD.....33
 WINCH HANDLE 8" STD.....33
 WINCH HANDLE-O.A.LENGTH-8".....33
 WINCH PINION PLATE, K-1550.....33
 WINCH PLATE W/DECAL ST.....21
 WINCH SPACER, 2 SPEED SLC,GRAY.....21
 WINCH SPACER,1 SPEED SLC, GRAY.....21
 WINCH W/DECAL,2 SPEED***.....35
 WINCH,W/DECAL 1SPEED SL/ST.....33

California Proposition 65

Warning

The exhaust from this product contains chemicals known to the State of California to cause cancer, birth defects or other reproductive harm.

Genie North America

Phone 425.881.1800
Toll Free USA and Canada
800.536.1800
Fax 425.883.3475

Genie Australia Pty Ltd.

Phone +61 7 3375 1660
Fax +61 7 3375 1002

Genie China

Phone +86 21 53852570
Fax +86 21 53852569

Genie Malaysia

Phone +65 98 480 775
Fax +65 67 533 544

Genie Japan

Phone +81 3 3453 6082
Fax +81 3 3453 6083

Genie Korea

Phone +82 25 587 267
Fax +82 25 583 910

Genie Brasil

Phone +55 11 41 665 755
Fax +55 11 41 665 754

Genie Holland

Phone +31 183 581 102
Fax +31 183 581 566

Genie Scandinavia

Phone +46 31 575100
Fax +46 31 579020

Genie France

Phone +33 (0)2 37 26 09 99
Fax +33 (0)2 37 26 09 98

Genie Iberica

Phone +34 93 579 5042
Fax +34 93 579 5059

Genie Germany

Phone +49 (0)4202 88520
Fax +49 (0)4202 8852-20

Genie U.K.

Phone +44 (0)1476 584333
Fax +44 (0)1476 584334

Genie Mexico City

Phone +52 55 5666 5242
Fax +52 55 5666 3241

Distributed By:

Parts Manual

Superlift Contractor

from 9595-101

Part No.
115410

Rev B8

Genie
A TEREX BRAND